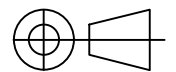


IT IS GLAZING VISION'S POLICY TO CONTINUOUSLY DEVELOP AND IMPROVE OUR PRODUCTS. WE THEREFORE RESERVE THE RIGHT TO MODIFY OR CHANGE THE DETAIL DESIGN AT OUR DISCRETION AND WITHOUT PRIOR NOTICE.

THIS DRAWING IS COPYRIGHT AND THE SOLE PROPERTY OF GLAZING VISION LTD. THE DESIGNS / INFORMATION IT CONTAINS ARE PRIVATE AND CONFIDENTIAL. IT MUST NOT BE COPIED, EXHIBITED OR COMMUNICATED TO THIRD PARTIES FOR ANY PURPOSE OTHER THAN THAT FOR WHICH IT WAS ISSUED WITHOUT THE WRITTEN PERMISSION OF GLAZING VISION LTD.

ALL DIMENSIONS IN mm UNLESS OTHERWISE STATED

UPSTAND TO BE CONSTRUCTED TO WITHIN ± 10 mm ON STRAIGHT & ± 12 mm ON DIAGONAL DESIGNED SIZES. WEATHERING BY OTHERS.

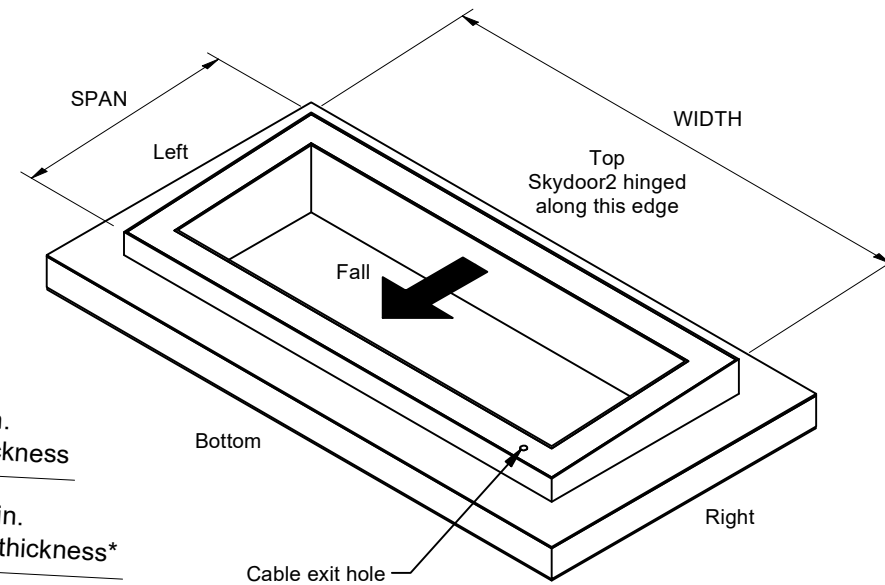
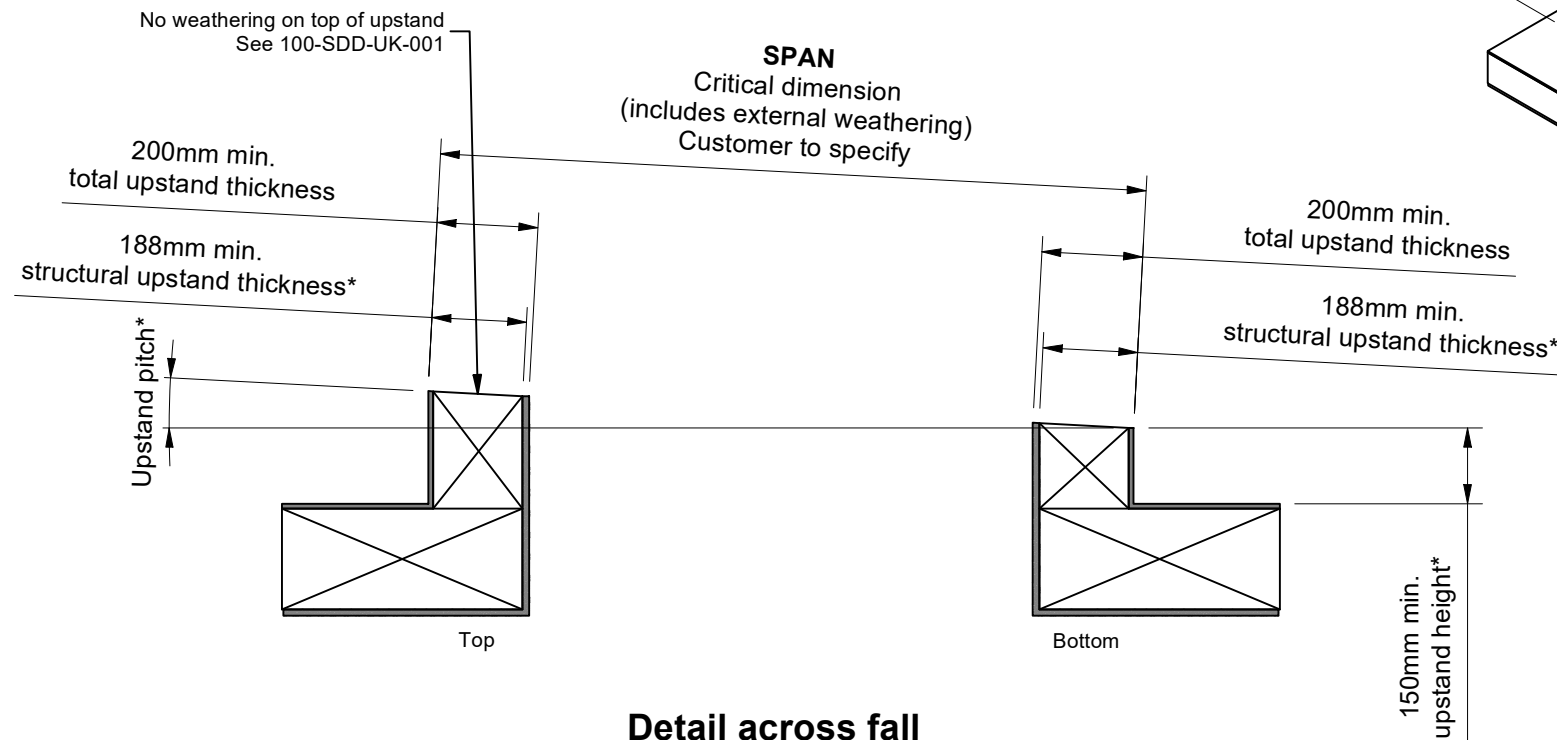


Third angle projection unless otherwise stated

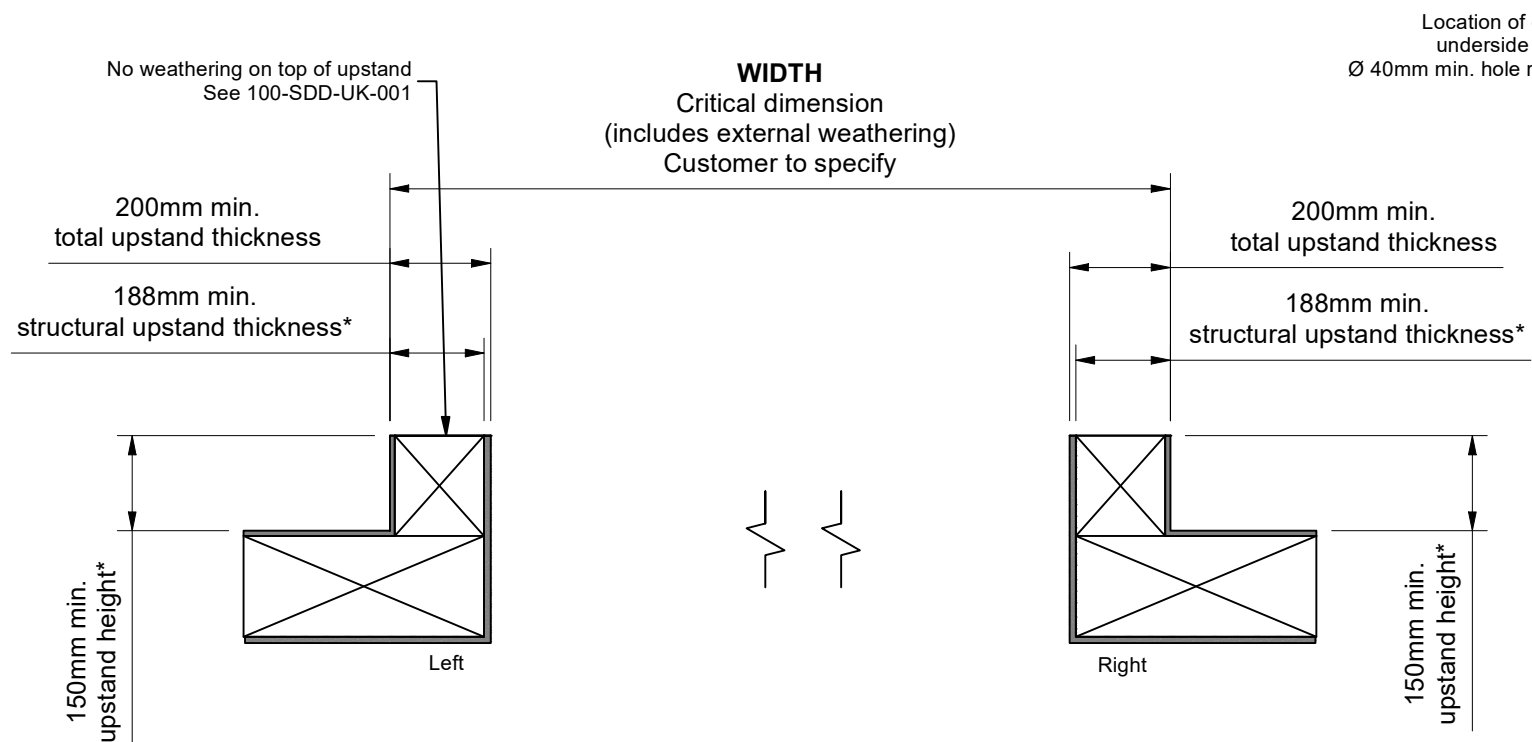
THIS IS A STANDARD DRAWING, THE UNIT PURCHASED MAY VARY. THIS DRAWING DOES NOT INDICATE ACCURATE DIMENSIONS FOR ANY EXISTING STRUCTURAL COMPONENTS OR PRODUCTS.

DO NOT USE THIS DRAWING FOR ANY SITE LAYOUTS. ON-SITE PERSONNEL ARE RESPONSIBLE TO CONFIRM DRAWINGS VS SPECIFIC SITE CONDITIONS.

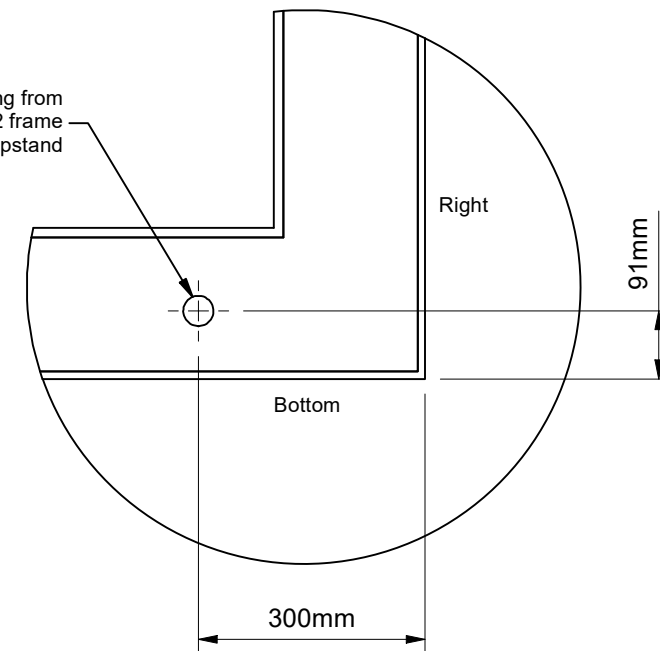
Detail along fall



Detail across fall



Cable exit hole



* Notes:

- Refer to 100-SDD-UK-001 for detailed upstand information
- **Structural upstand thickness** DOES include external weathering but does NOT include internal finishes (see 100-SDD-UK-001).
- **Upstand height** may vary around the upstand. The upstand height MUST exceed the given minimum upstand height at all points.
- **Upstand pitch** must match that specified on order confirmation. See 406-SDD-UK-506 or 406-SDD-UK-511.

ESTIMATED WEIGHT	N/A	SCALE	Not to scale <small>(UNLESS OTHERWISE STATED)</small>
------------------	-----	-------	--

REVISION	DESCRIPTION	NAME/DATE
-	Initial Release	SS 04-Aug-2023

PROJECT	
406 GV Standard Skydoor2	
TITLE / DESCRIPTION	CHECKED
Upstand requirements	AB
DRAWING NO.	SHEET
406-SDD-UK-508	1 OF 1