

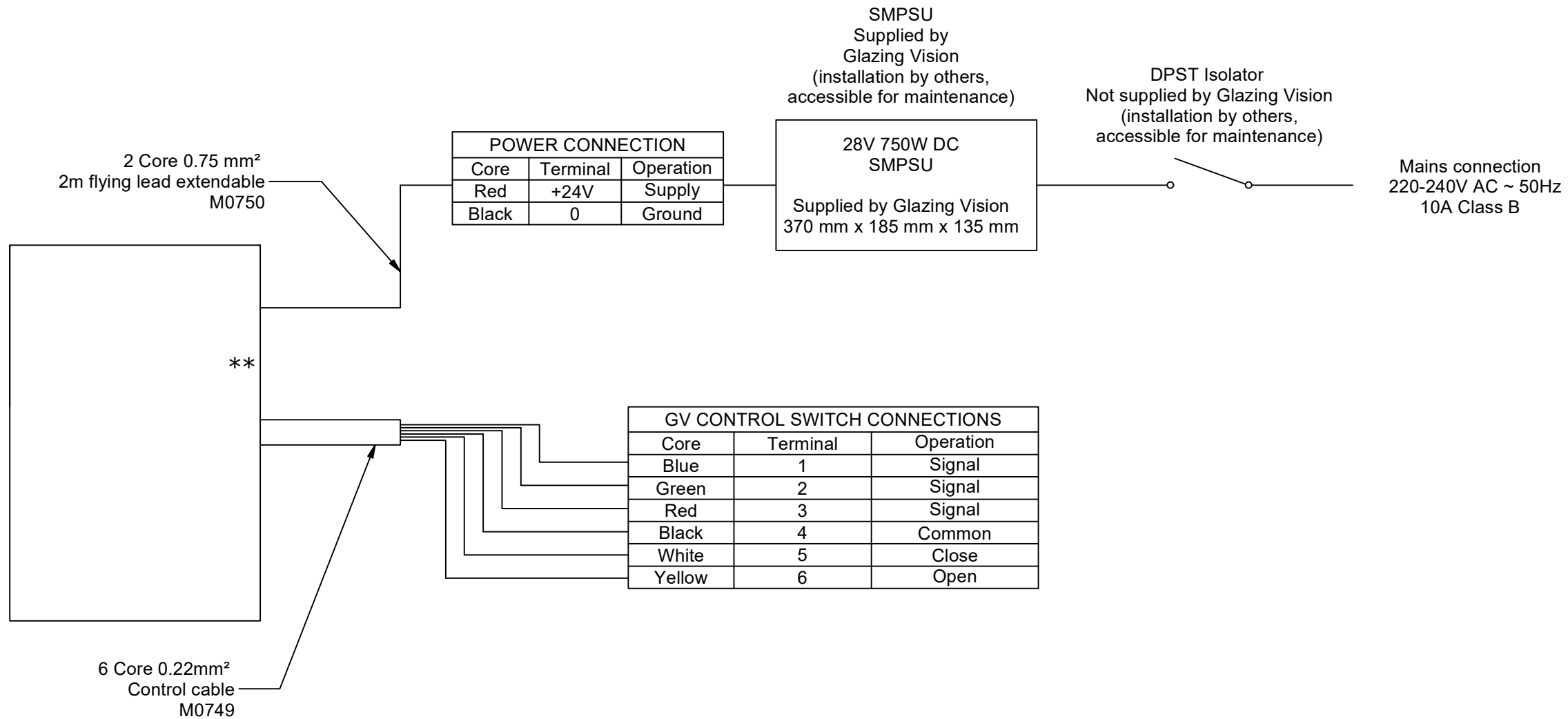
# Mains Connection and Control Switch Connection with External PSU (Xvent only)

This is a fixed installation. All connections should be carried out by a competent person.  
This applies **only** for the Xvent

For units requiring commissioning, a mains supply must be available on site when the unit is installed. Additional visits may incur additional charges.

For maintenance reasons the control switch must always be installed.

All cables supplied at 2 m, extendable to 10 m with appropriate cable.



POWER CONNECTION		
Core	Terminal	Operation
Red	+24V	Supply
Black	0	Ground

SMPSU  
Supplied by  
Glazing Vision  
(installation by others,  
accessible for maintenance)

28V 750W DC  
SMPSU

Supplied by Glazing Vision  
370 mm x 185 mm x 135 mm

DPST Isolator  
Not supplied by Glazing Vision  
(installation by others,  
accessible for maintenance)

Mains connection  
220-240V AC ~ 50Hz  
10A Class B

GV CONTROL SWITCH CONNECTIONS		
Core	Terminal	Operation
Blue	1	Signal
Green	2	Signal
Red	3	Signal
Black	4	Common
White	5	Close
Yellow	6	Open

OTHER CONNECTIONS	
Description	Drawing Number
Mains Connection and Control Switch Connection with External PSU (except Xvent)	100-SDD-UK-003
Secondary Control Switch or BMS Connection	100-SDD-UK-004
Fire System Connection	100-SDD-UK-005
Digital Rain Sensor Connection (without Rain Sensor Override)	100-SDD-UK-006
Optical Rain Sensor Connection (without Rain Sensor Override)	100-SDD-UK-007
Digital Sensor with Rain Sensor Override Connection	100-SDD-UK-008
Optical Rain Sensor with Rain Sensor Override Connection	100-SDD-UK-009
Thermostat Connection	100-SDD-UK-010
Keypad Connection (Alpro E0678)	100-SDD-UK-011
Keypad Connection (Strikemaster E0102)	100-SDD-UK-012
Mains Connection and Control Switch Connection with Internal PSU	100-SDD-UK-013

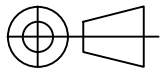
\*\*Cables exit from the underside of the product. See the upstand drawing for the exact exit position.

IT IS GLAZING VISION'S POLICY TO CONTINUOUSLY DEVELOP AND IMPROVE OUR PRODUCTS. WE THEREFORE RESERVE THE RIGHT TO MODIFY OR CHANGE THE DETAIL DESIGN AT OUR DISCRETION AND WITHOUT PRIOR NOTICE.

THIS DRAWING IS COPYRIGHT AND THE SOLE PROPERTY OF GLAZING VISION LTD. THE DESIGNS / INFORMATION IT CONTAINS ARE PRIVATE AND CONFIDENTIAL. IT MUST NOT BE COPIED, EXHIBITED OR COMMUNICATED TO THIRD PARTIES FOR ANY PURPOSE OTHER THAN THAT FOR WHICH IT WAS ISSUED WITHOUT THE WRITTEN PERMISSION OF GLAZING VISION LTD.

ALL DIMENSIONS IN mm UNLESS OTHERWISE STATED

UPSTAND TO BE CONSTRUCTED TO WITHIN ± 10 mm ON STRAIGHT & ± 12 mm ON DIAGONAL DESIGNED SIZES. WEATHERING BY OTHERS.



Third angle projection unless otherwise stated

THIS IS A STANDARD DRAWING. THE UNIT PURCHASED MAY VARY. THIS DRAWING DOES NOT INDICATE ACCURATE DIMENSIONS FOR ANY EXISTING STRUCTURAL COMPONENTS OR PRODUCTS.

DO NOT USE THIS DRAWING FOR ANY SITE LAYOUTS. ON-SITE PERSONNEL ARE RESPONSIBLE TO CONFIRM DRAWINGS VS SPECIFIC SITE CONDITIONS.

ESTIMATED WEIGHT	N/A	SCALE	Not to scale
------------------	-----	-------	--------------

REVISION	DESCRIPTION	NAME/DATE
-	Initial Release	HL 09/Dec/2020
A	Hinge product representation removed	RJ 16/Jan/2023
B	Change in PSU size	SS 20/Feb/2024

PROJECT	
Universal Controller MA0106 Wiring Diagrams	
TITLE / DESCRIPTION	CHECKED
Mains Connection and Control Switch Connection with External PSU (Xvent only)	

DRAWING NO.	SHEET
100-SDD-UK-014	1 OF 1