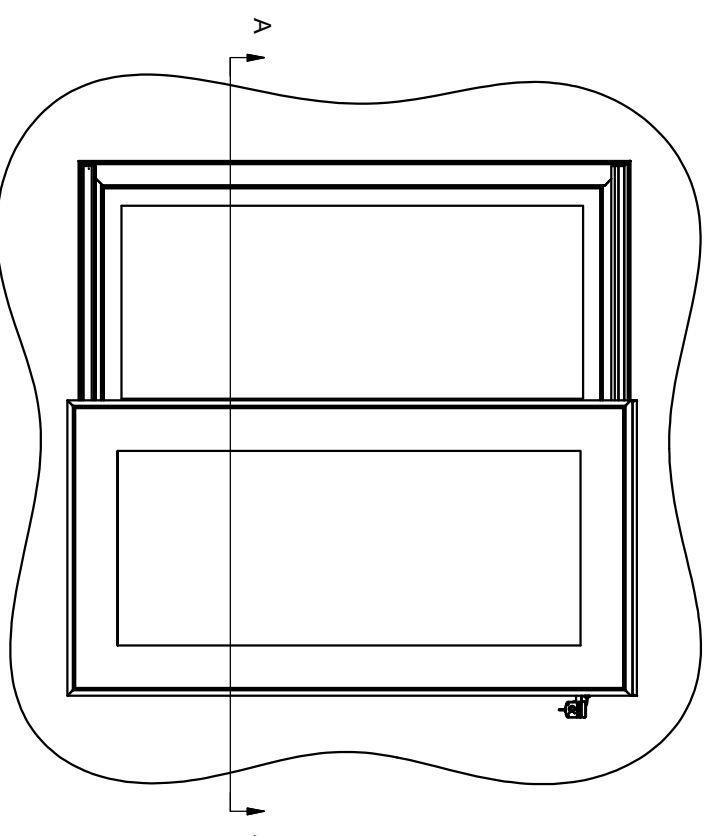
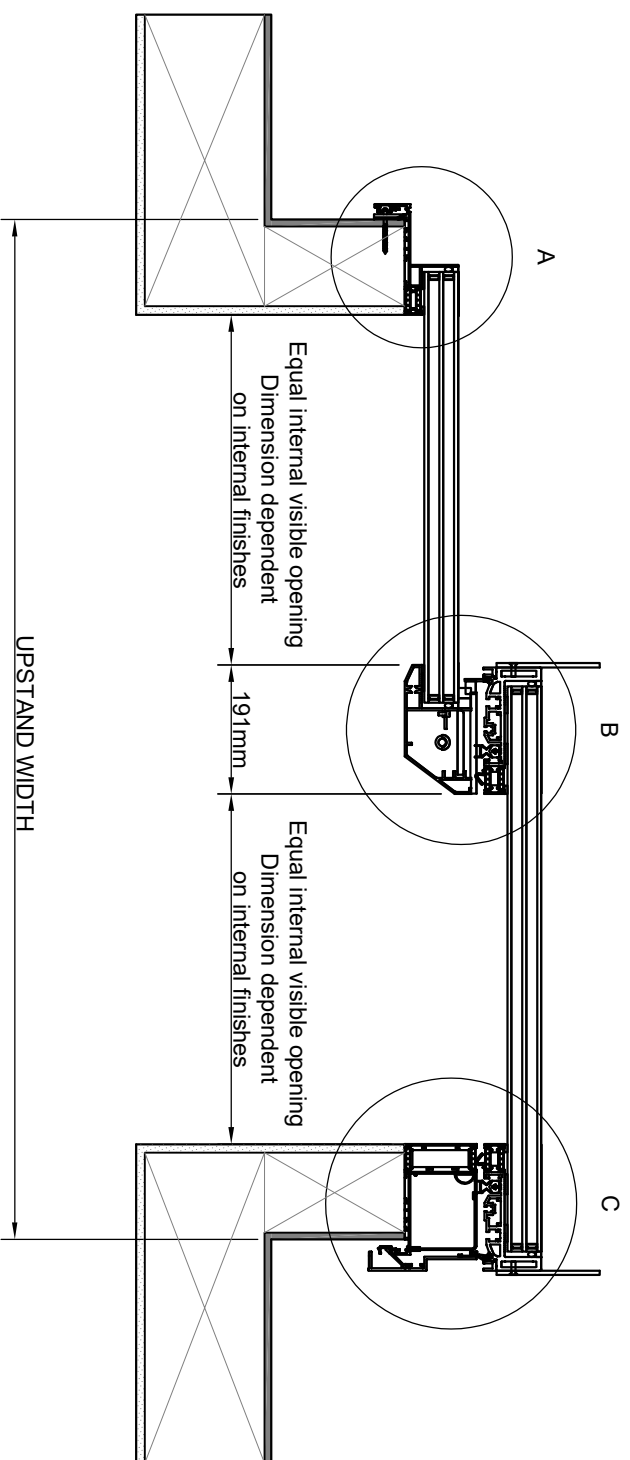
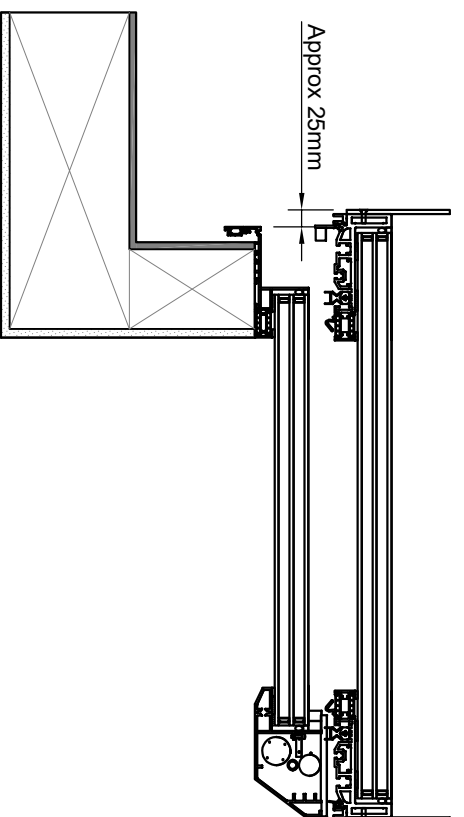


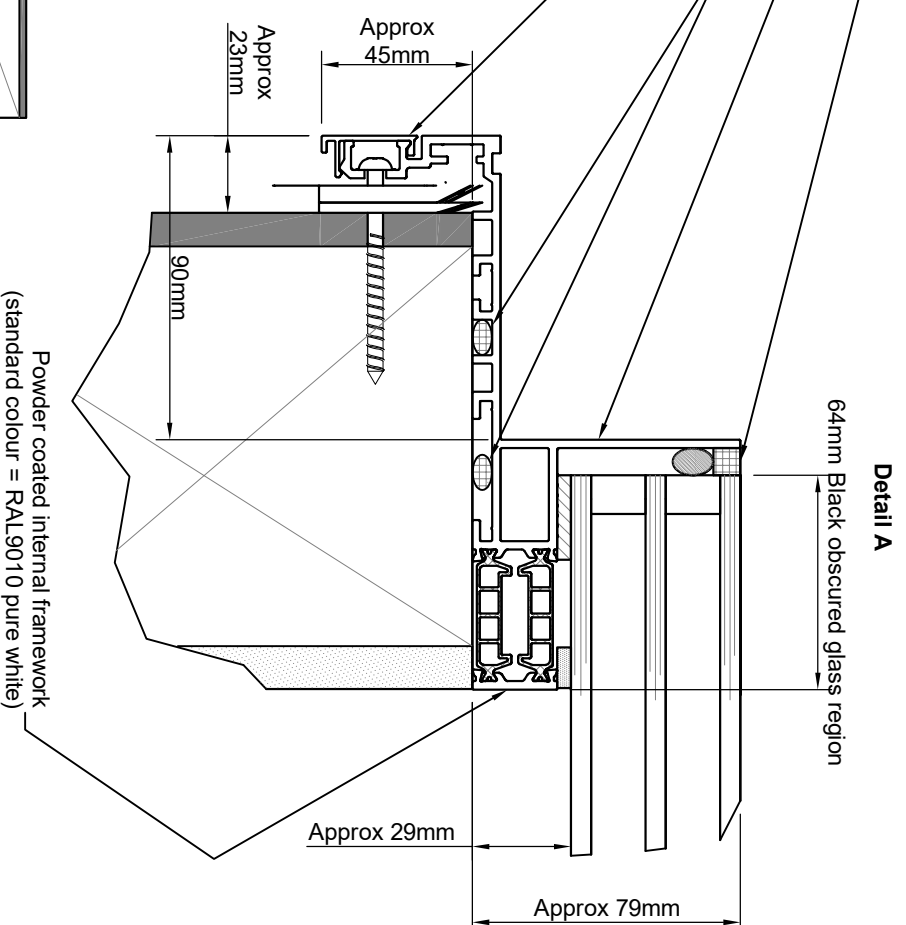
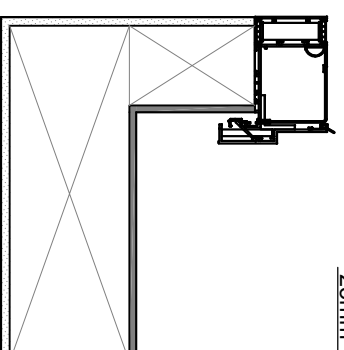
Section A-A
(Closed position)



Factory applied low modulus neutral cure silicone
(standard = matt black) with polyethylene expanded foam backing rod
Powder coated external framework
(standard = RAL7015 slate grey)
Site applied silicone seal (supplied by Glazing Vision)
Polyester powder coated aluminium clip on cover
concealing structural stainless steel upstand fixing
with packers (supplied by Glazing Vision)



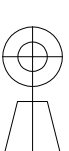
Section A-A
(Open position)



IT IS GLAZING VISION'S POLICY TO CONTINUOUSLY DEVELOP AND IMPROVE OUR PRODUCTS. WE THEREFORE RESERVE THE RIGHT TO MODIFY OR CHANGE THE DETAIL DESIGN AT OUR DISCRETION AND WITHOUT PRIOR NOTICE.

THIS DRAWING IS COPYRIGHT AND THE SOLE PROPERTY OF GLAZING VISION LTD. THE DESIGNS / INFORMATION IT CONTAINS ARE PRIVATE AND CONFIDENTIAL. IT MUST NOT BE COPIED, EXHIBITED OR COMMUNICATED TO THIRD PARTIES FOR ANY PURPOSE OTHER THAN THAT FOR WHICH IT WAS ISSUED WITHOUT THE WRITTEN PERMISSION OF GLAZING VISION LTD.

ALL DIMENSIONS IN mm UNLESS OTHERWISE STATED
UPSTAND TO BE CONSTRUCTED TO WITHIN ± 10 mm ON STRAIGHT & ± 12 mm ON DIAGONAL DESIGNED SIZES. WEATHERING BY OTHERS.



Third angle projection unless otherwise stated

THIS IS A STANDARD DRAWING. THE UNIT PURCHASED MAY VARY. THIS DRAWING DOES NOT INDICATE ACCURATE DIMENSIONS FOR ANY EXISTING STRUCTURAL COMPONENTS OR PRODUCTS.

DO NOT USE THIS DRAWING FOR ANY SITE LAYOUTS. ON-SITE PERSONNEL ARE RESPONSIBLE TO CONFIRM DRAWINGS VS SPECIFIC SITE CONDITIONS.

ESTIMATED WEIGHT	SCALE	Not to scale	
REVISION	DESCRIPTION	NAME	DATE
-	Initial Release	JSL	27 May 2022
A	Fin updated to cover all standard sizes	RJ	29 Jun 2022
PROJECT: Sliding Over Fixed			
TITLE / DESCRIPTION: Triple Glazed Section Through Width			
DRAWING NO: 603-SDD-UK-004			SHEET: 1 OF 1