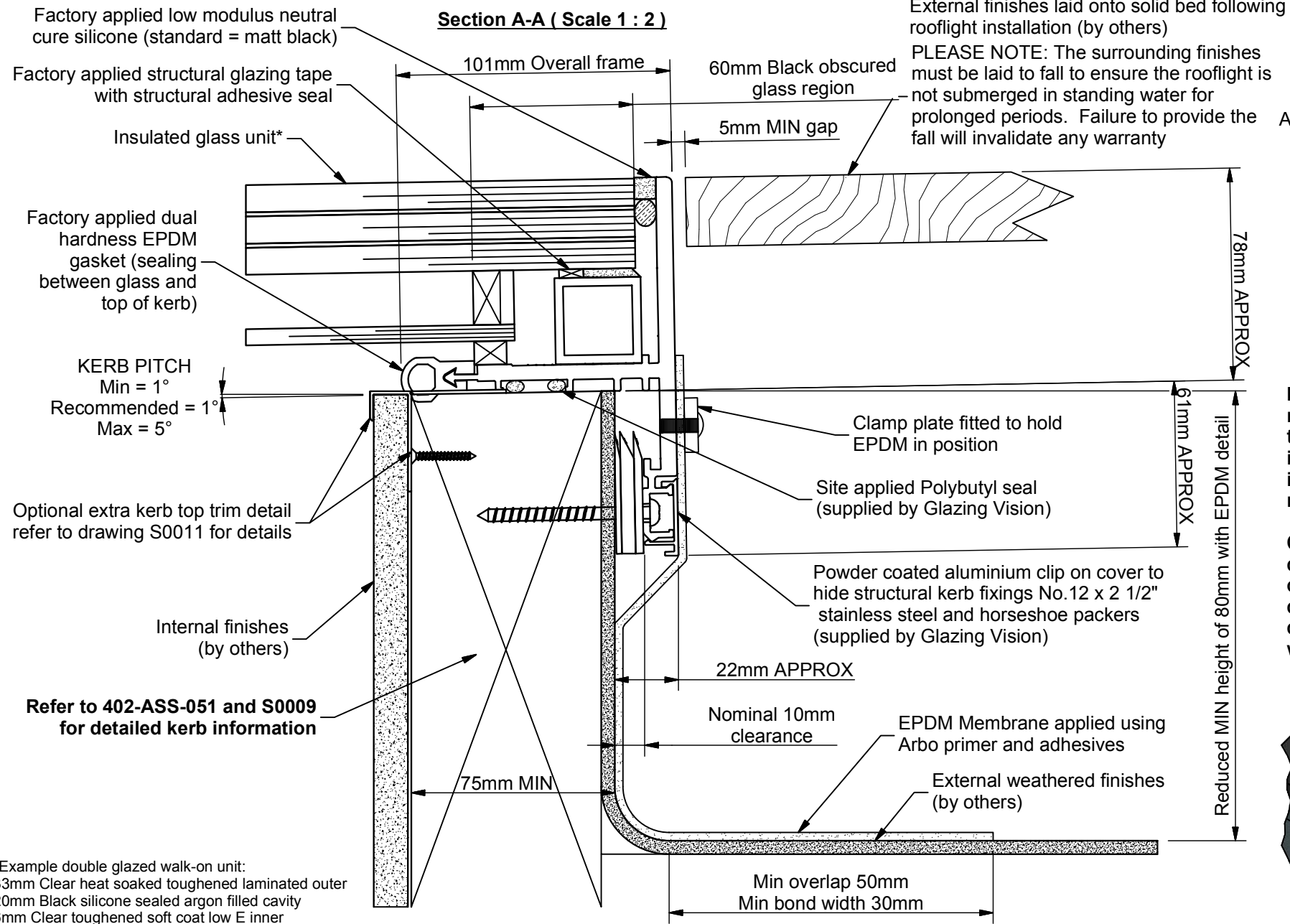
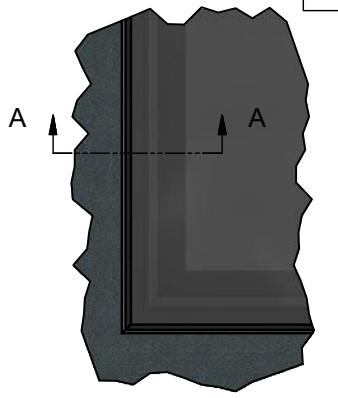


Section A-A (Scale 1 : 2)

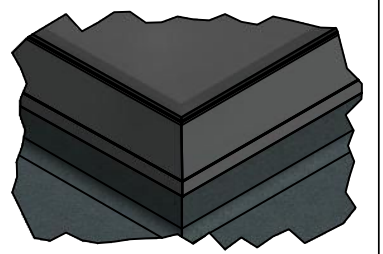


External finishes laid onto solid bed following rooflight installation (by others)
 PLEASE NOTE: The surrounding finishes must be laid to fall to ensure the rooflight is not submerged in standing water for prolonged periods. Failure to provide the fall will invalidate any warranty



IMPORTANT: It is the responsibility of the client to ensure the EPDM installation will not invalidate their roofing membrane warranty.

Glazing Vision ensure a compatible adhesive and or primer are selected but cannot ensure the compatibility with the warranty



*Example double glazed walk-on unit:
 33mm Clear heat soaked toughened laminated outer
 20mm Black silicone sealed argon filled cavity
 6mm Clear toughened soft coat low E inner

GLAZING VISION
 Saw Mills Road
 Diss
 Norfolk
 IP22 4RG
 Tel: +44 (0)333 8000 881
 Fax: +44 (0)333 8000 882
 Email: sales@glazingvision.co.uk
 Website: www.glazingvision.co.uk

IT IS GLAZING VISION'S POLICY TO CONTINUOUSLY DEVELOP AND IMPROVE OUR PRODUCTS. WE THEREFORE RESERVE THE RIGHT TO MODIFY OR CHANGE THE DETAIL DESIGN AT OUR DISCRETION AND WITHOUT PRIOR NOTICE. THIS DRAWING IS COPYRIGHT AND THE SOLE PROPERTY OF GLAZING VISION LTD. THE DESIGNS/INFORMATION IT CONTAINS ARE PRIVATE AND CONFIDENTIAL. IT MUST NOT BE COPIED, EXHIBITED OR COMMUNICATED TO THIRD PARTIES FOR ANY PURPOSE OTHER THAN THAT FOR WHICH IT WAS ISSUED WITHOUT THE WRITTEN PERMISSION OF GLAZING VISION LTD.

Third angle projection unless otherwise noted.
 Tolerances:
 Whole numbers = ±1mm
 One decimal place = ±0.5mm
 Two decimal places = ±0.2mm
 All angles 90±0.5 degrees unless specified
IF IN DOUBT - ASK! DO NOT SCALE
 Supplier to deburr & remove sharp corners

Rev	Revision Description	Drawn/Date
-	INITIAL ISSUE	JSL 19/01/2018

Product: 402 - GV Standard Flushglaze		Checked By: SW
Description: Kerb detail - Extra-large profile with EPDM		
Materials: As above		Check Date: 19/01/2018
Finish: Std = RAL7015 Grey matt	Drawn By: JSL	
Weight: N/A	Drawn Date: 19/01/2018	
Quantity: N/A		
Scale: 1:2 @ A4		Drawing No: 402-ASS-064