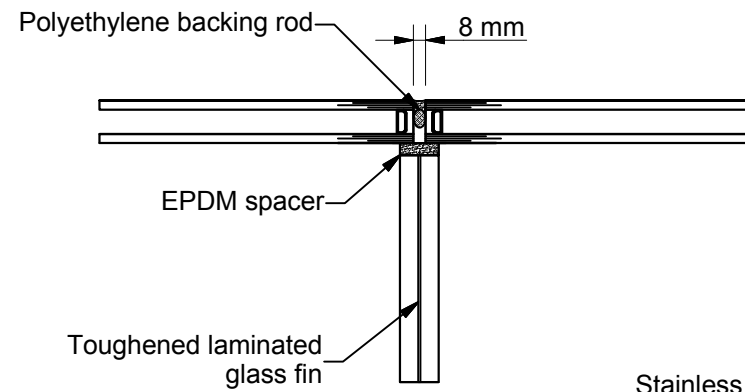
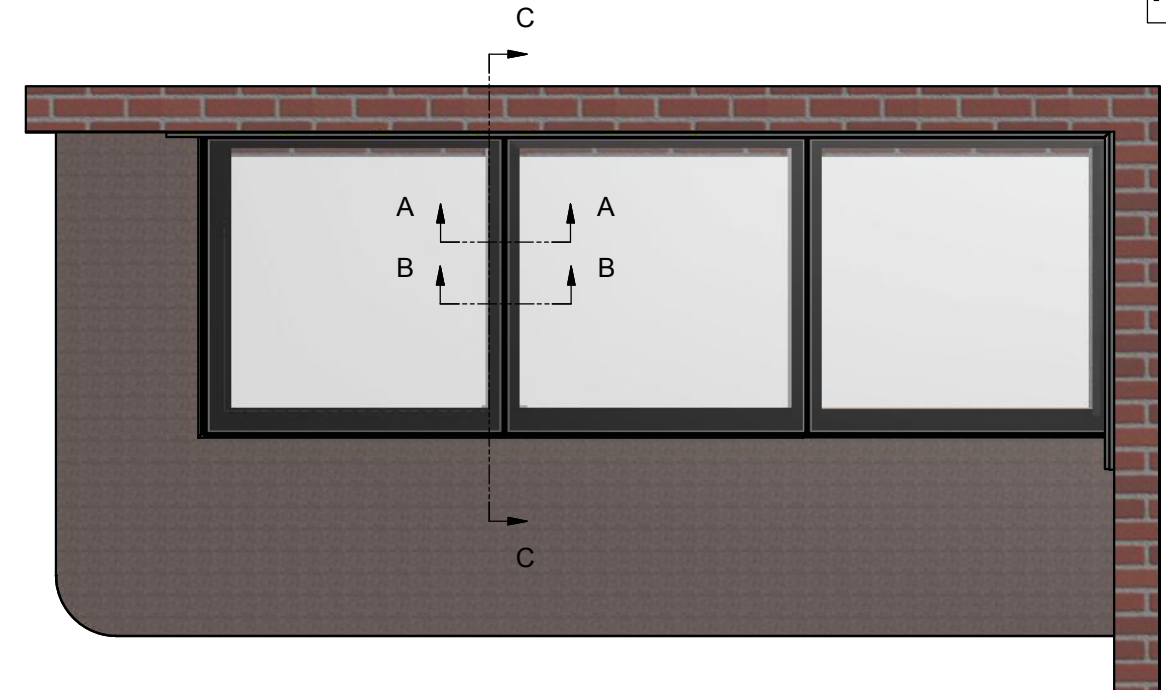
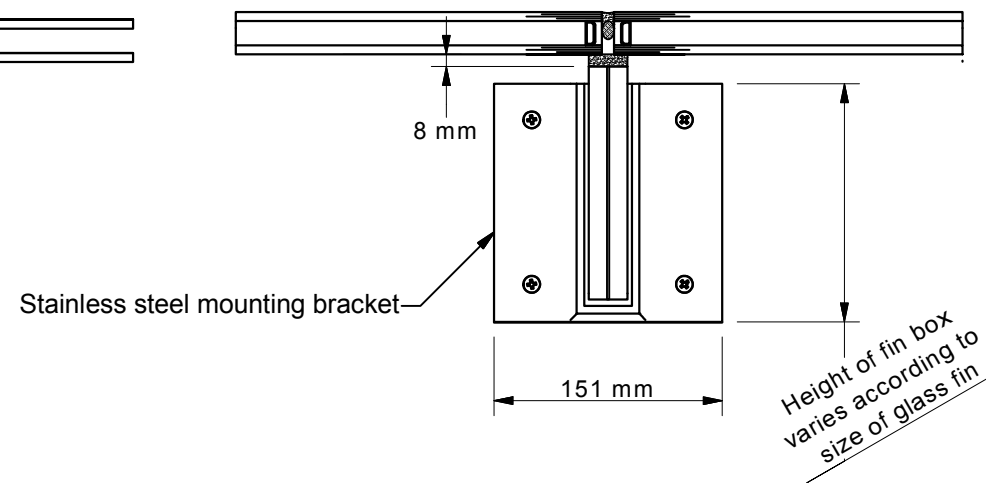


**Section A-A ( Scale 1 : 5 )**



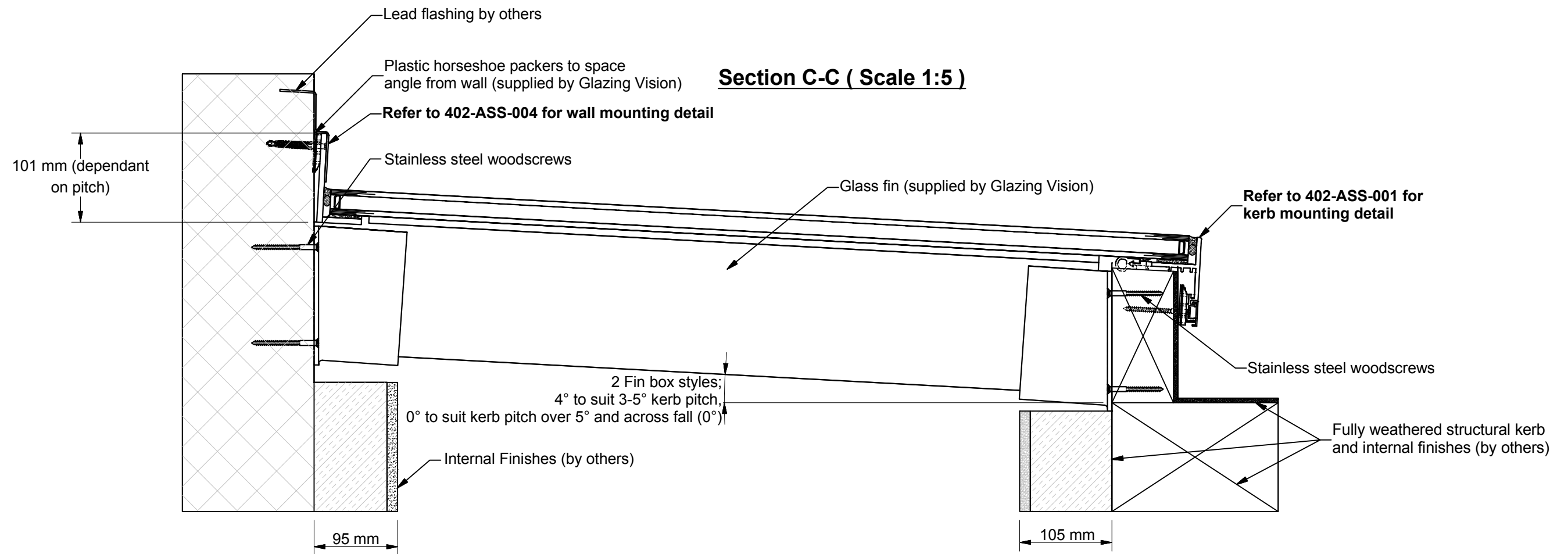
**Section B-B ( Scale 1 : 5 )**

Showing mounting bracket



**Note:** This is a standard reference drawing which includes both wall and kerb mounting details to illustrate the possible configurations for the flushglaze range. It is not an order specific drawing and therefore does not reflect your specific order dimensions or configuration. Ensure you check your order confirmation meets the specifics of your order before signing.

**Section C-C ( Scale 1:5 )**



| Rev | Revision Description  | Drawn/Date      |
|-----|---|-----------------|
| F   | Wall abutment detail changed from clip-on to angled detail. | JWL<br>07.07.15 |

|   |                                |                                |
|---|--------------------------------|--------------------------------|
| <b>Product:</b> 402-Flushglaze                                |                                | <b>Checked By:</b><br>JB       |
| <b>Description:</b> Double glazed Flushglaze glass fin detail |                                |                                |
| <b>Materials:</b> As above                                    |                                | <b>Check Date:</b><br>07.07.15 |
| <b>Finish:</b> N/A  | <b>Drawn By:</b> JWL           |                                |
| <b>Weight:</b> N/A  | <b>Drawn Date:</b> 07.07.15    |                                |
| <b>Quantity:</b> N/A  | <b>Drawing No:</b> 402-ASS-014 |                                |
| <b>Scale:</b> 1:5 1:25  |                                |                                |