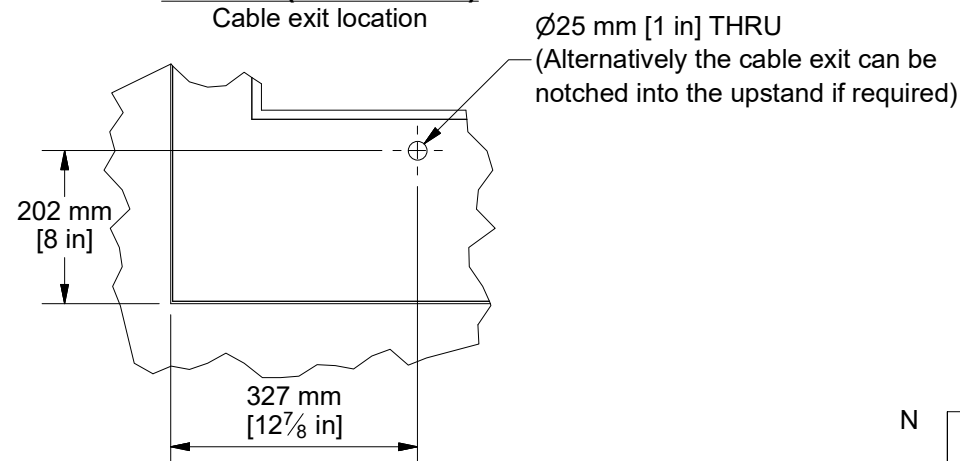


Detail L (Scale 1:10)

Cable exit location



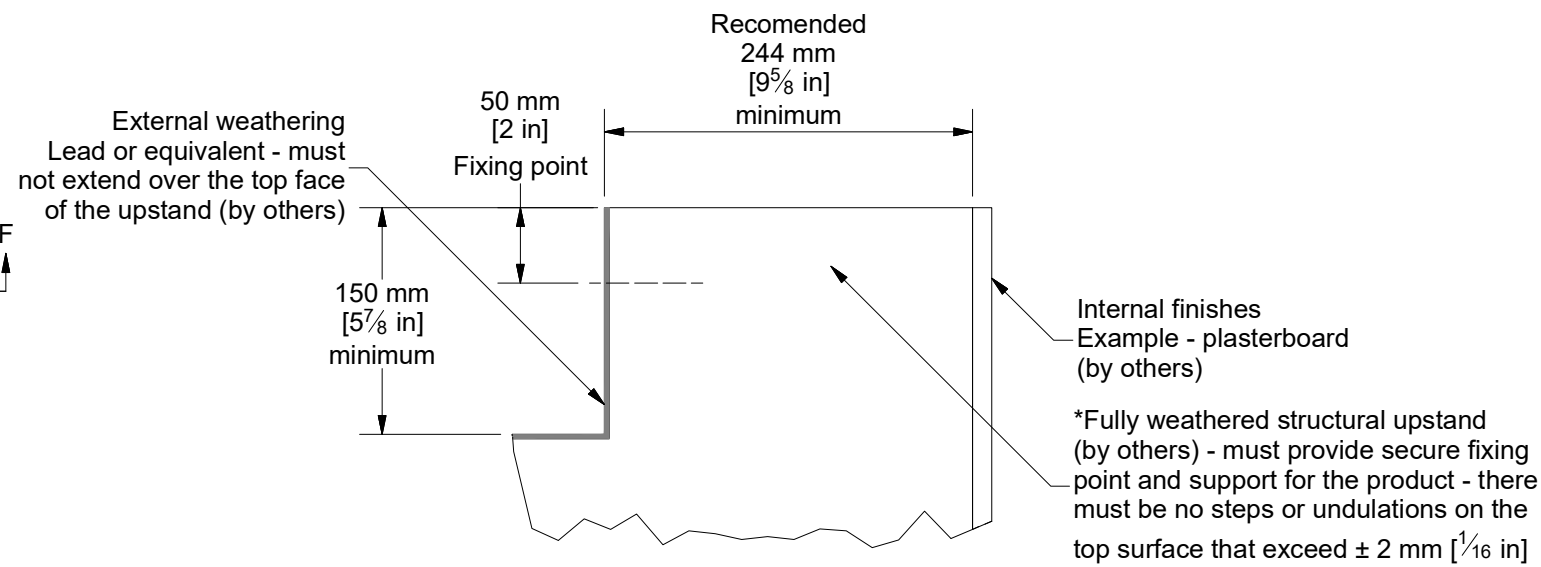
*Glazing Vision strongly recommends that a structural engineer is consulted when designing the structure(s) that will support the product and the surrounding roof. Nothing in this drawing constitutes a structural proposal. The product weight will be given on the order documentation.

Note: Left hand exit product shown - right hand exit will be mirror image

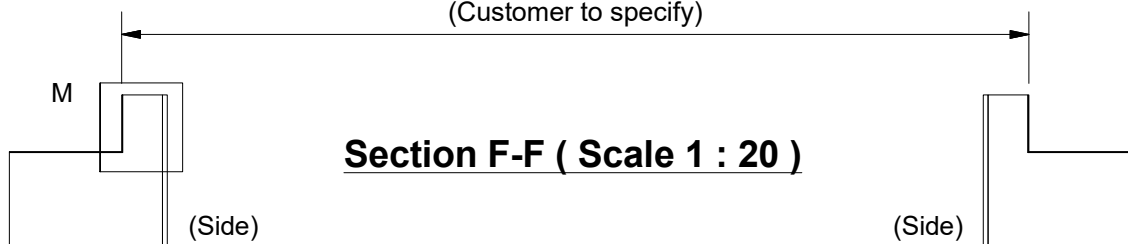
A minimum distance of 500 mm [$19\frac{5}{8} \text{ in}$] clearance between the upstand and any surrounding structures must be left on all sides. This is to allow for sufficient room for installation and maintenance.

Detail N (Scale 1 : 5)

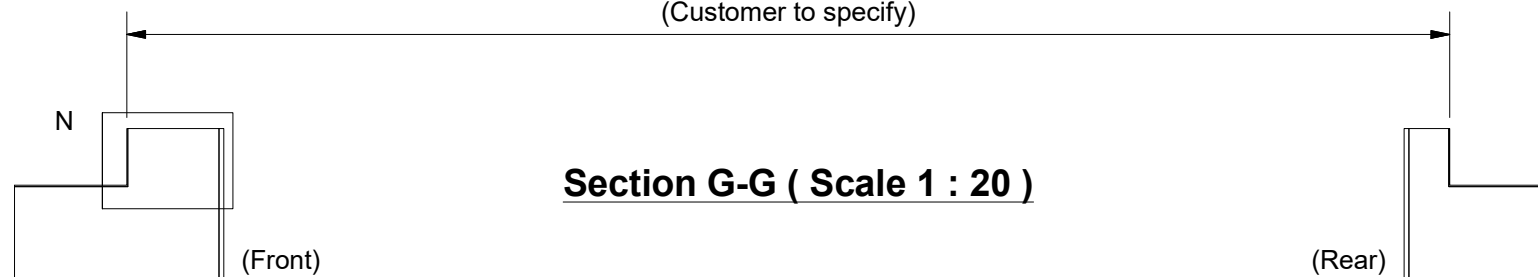
Front of upstand



Width
Critical dimension
Includes all weathering finishes
(Customer to specify)

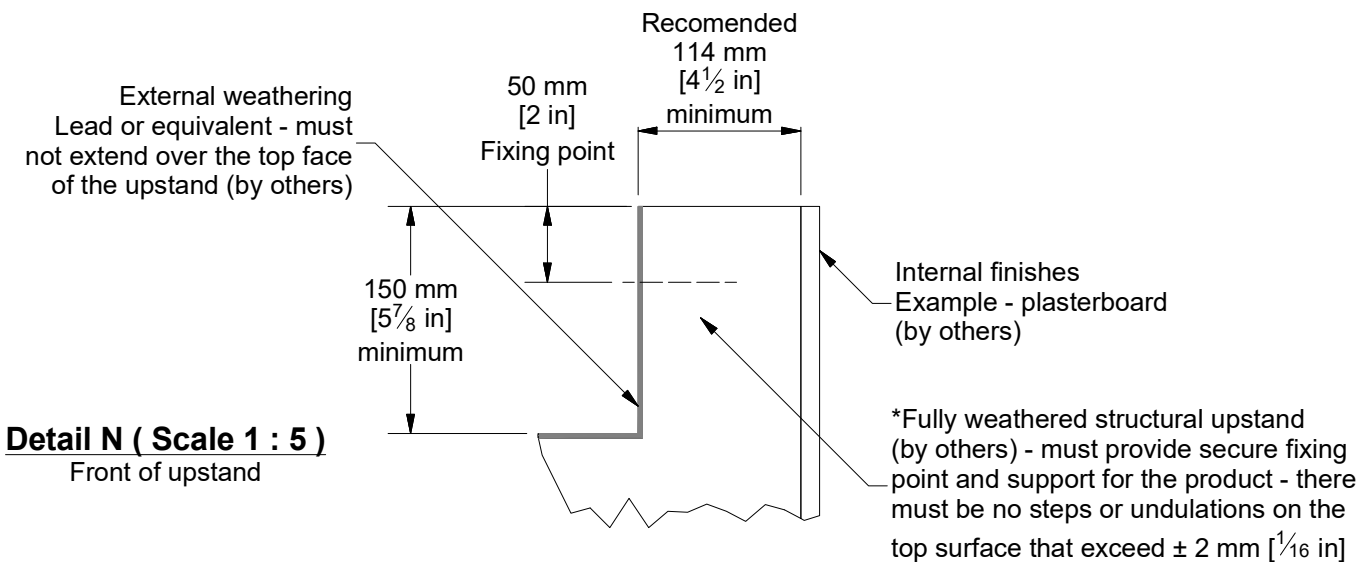


Span
Critical dimension
Includes all weathering finishes
(Customer to specify)



Detail M (Scale 1 : 5)

Rear and sides of upstand



GLASS CONFORMS TO IMPACT RESISTANCE AND BREAKAGE CHARACTERISTICS OF BS EN 12600:2002. IGUs FABRICATED TO BS EN 1279 AND SUPPLIED IN ACCORDANCE WITH BS 5516-2:2004.

FINISH SPECIFICATION:

POLYESTER POWDER COATED: MIN 40 MICRONS

STANDARD EXTERNAL COLOUR: **RAL 7015 Slate Grey**

STANDARD INTERNAL COLOUR: **RAL 9010 Pure White**

FIXING SPECIFICATION: A2 STAINLESS STEEL

SEALANTS SPECIFICATION: NEUTRAL CURE TO BS5889

ALL DIMENSIONS mm [in] UNLESS OTHERWISE STATED.

GLAZING VISION

UK Office
Sawmills Road
Diss
Norfolk
IP22 4RG

Tel: +44 (0)1379 658300
Email: sales@glazingvision.co.uk
Website: www.glazingvision.co.uk

USA Office
201 Locust Street
Hartford
Connecticut
06114

Tel: +1 860 206 8111
Email: sales@glazingvision.com
Website: www.glazingvision.com

IT IS GLAZING VISION'S POLICY TO CONTINUOUSLY DEVELOP AND IMPROVE OUR PRODUCTS. WE THEREFORE RESERVE THE RIGHT TO MODIFY OR CHANGE THE DETAIL DESIGN AT OUR DISCRETION AND WITHOUT PRIOR NOTICE.

THIS DRAWING IS COPYRIGHT AND THE SOLE PROPERTY OF GLAZING VISION LTD. THE DESIGNS / INFORMATION IT CONTAINS ARE PRIVATE AND CONFIDENTIAL. IT MUST NOT BE COPIED, EXHIBITED OR COMMUNICATED TO THIRD PARTIES FOR ANY PURPOSE OTHER THAN THAT FOR WHICH IT WAS ISSUED WITHOUT THE WRITTEN PERMISSION OF GLAZING VISION LTD.

REV.	REVISION DESCRIPTION	NAME/DATE
-	Initial release	HL 08.07.19
A	Relocated upstand dimensions to structural dimension, not overall thickness	HL 16.10.19

CHECKED JSL 16.10.19 SCALE NTS

PRODUCT GV Standard Free Standing Skybox

DESCRIPTION
Upstand Drawing

DRAWING NUMBER 700-ASS-015 SHEET 1 of 1