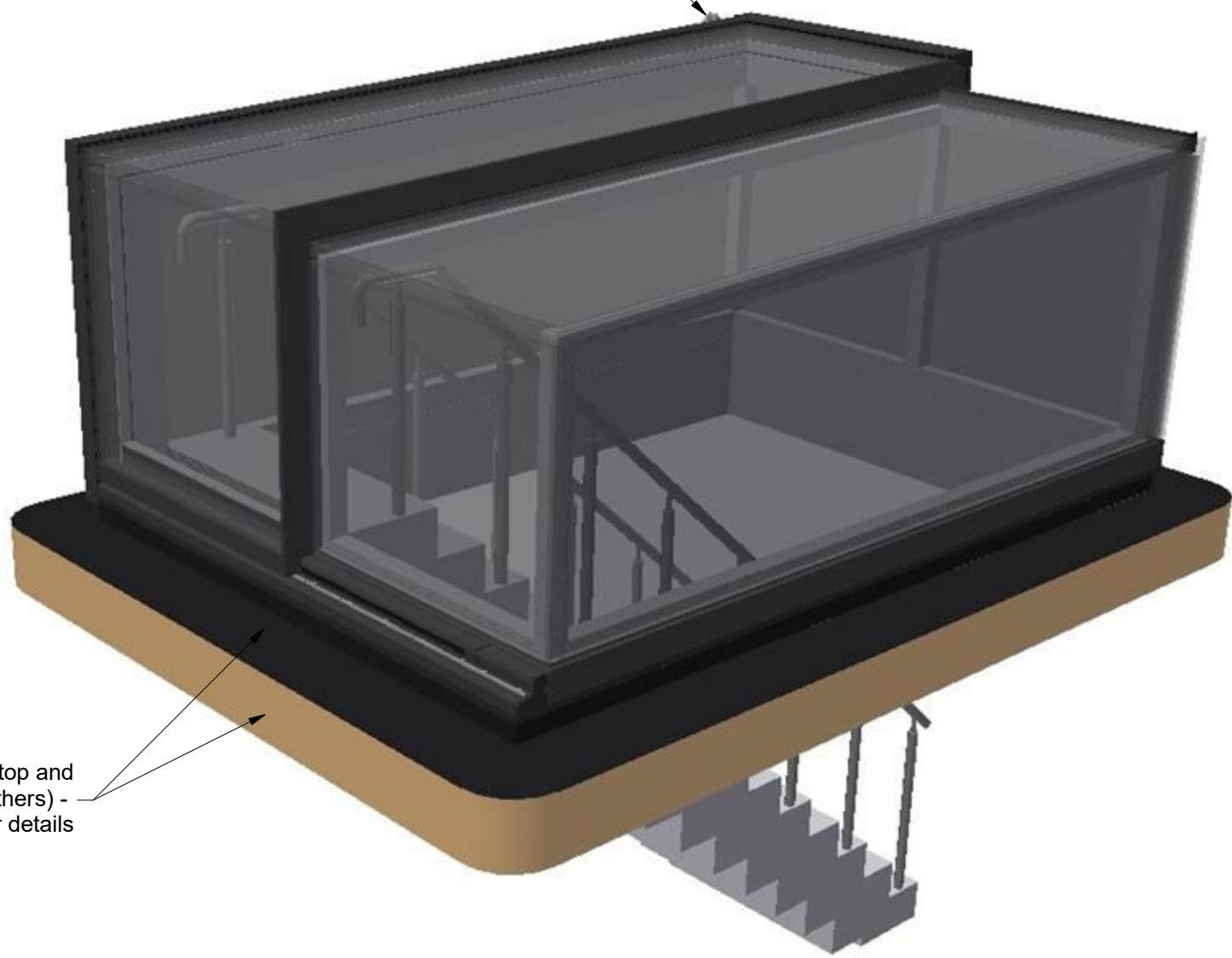


Optional rain sensor



Fully weathered rooftop and upstand structure (by others) - see drawing 700-ASS-015 for details

GLASS CONFORMS TO IMPACT RESISTANCE AND BREAKAGE CHARACTERISTICS OF BS EN 12600:2002. IGUs FABRICATED TO BS EN 1279 AND SUPPLIED IN ACCORDANCE WITH BS 5516-2:2004.

FINISH SPECIFICATION:
 POLYESTER POWDER COATED: MIN 40 MICRONS
 STANDARD EXTERNAL COLOUR: **RAL 7015 Slate Grey**
 STANDARD INTERNAL COLOUR: **RAL 9010 Pure White**
FIXING SPECIFICATION: A2 STAINLESS STEEL
SEALANTS SPECIFICATION: NEUTRAL CURE TO BS5889
 ALL DIMENSIONS mm [in] UNLESS OTHERWISE STATED.



UK Office
 Sawmills Road
 Diss Norfolk IP22 4RG
 Tel: +44 (0)1379 658300
 Email: sales@glazingvision.co.uk
 Website: www.glazingvision.co.uk

USA Office
 201 Locust Street
 Hartford Connecticut 06114
 Tel: +1 860 206 8111
 Email: sales@glazingvision.com
 Website: www.glazingvision.com

IT IS GLAZING VISION'S POLICY TO CONTINUOUSLY DEVELOP AND IMPROVE OUR PRODUCTS. WE THEREFORE RESERVE THE RIGHT TO MODIFY OR CHANGE THE DETAIL DESIGN AT OUR DISCRETION AND WITHOUT PRIOR NOTICE.

THIS DRAWING IS COPYRIGHT AND THE SOLE PROPERTY OF GLAZING VISION LTD. THE DESIGNS / INFORMATION IT CONTAINS ARE PRIVATE AND CONFIDENTIAL. IT MUST NOT BE COPIED, EXHIBITED OR COMMUNICATED TO THIRD PARTIES FOR ANY PURPOSE OTHER THAN THAT FOR WHICH IT WAS ISSUED WITHOUT THE WRITTEN PERMISSION OF GLAZING VISION LTD.

REV.	REVISION DESCRIPTION	NAME/DATE
-	Initial release	HL 08.07.19

CHECKED JSL 08.07.19 SCALE NTS

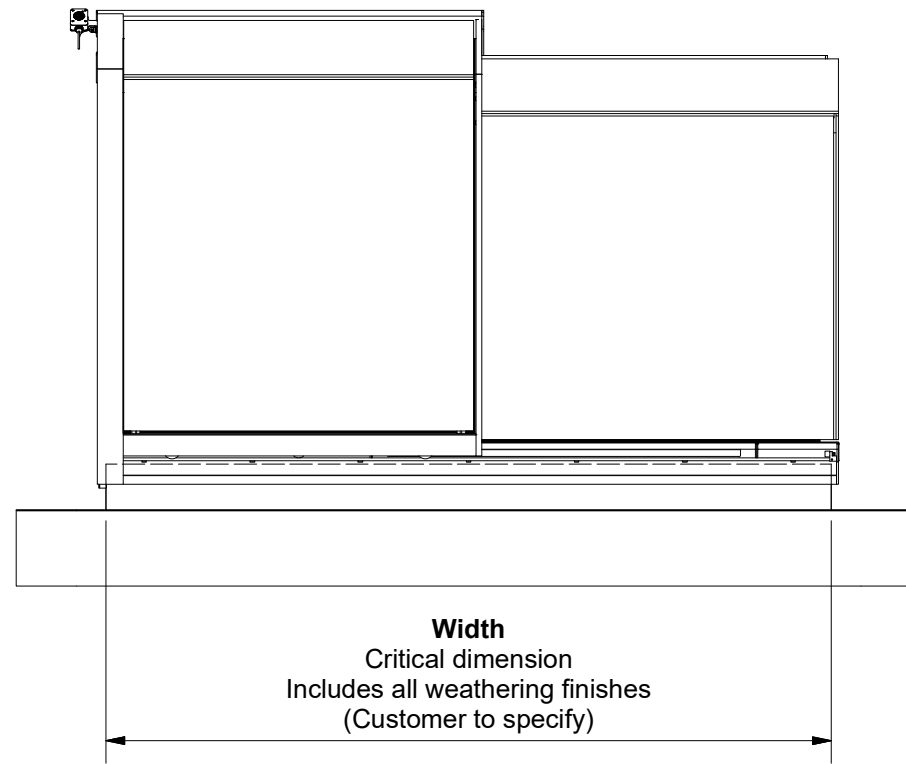
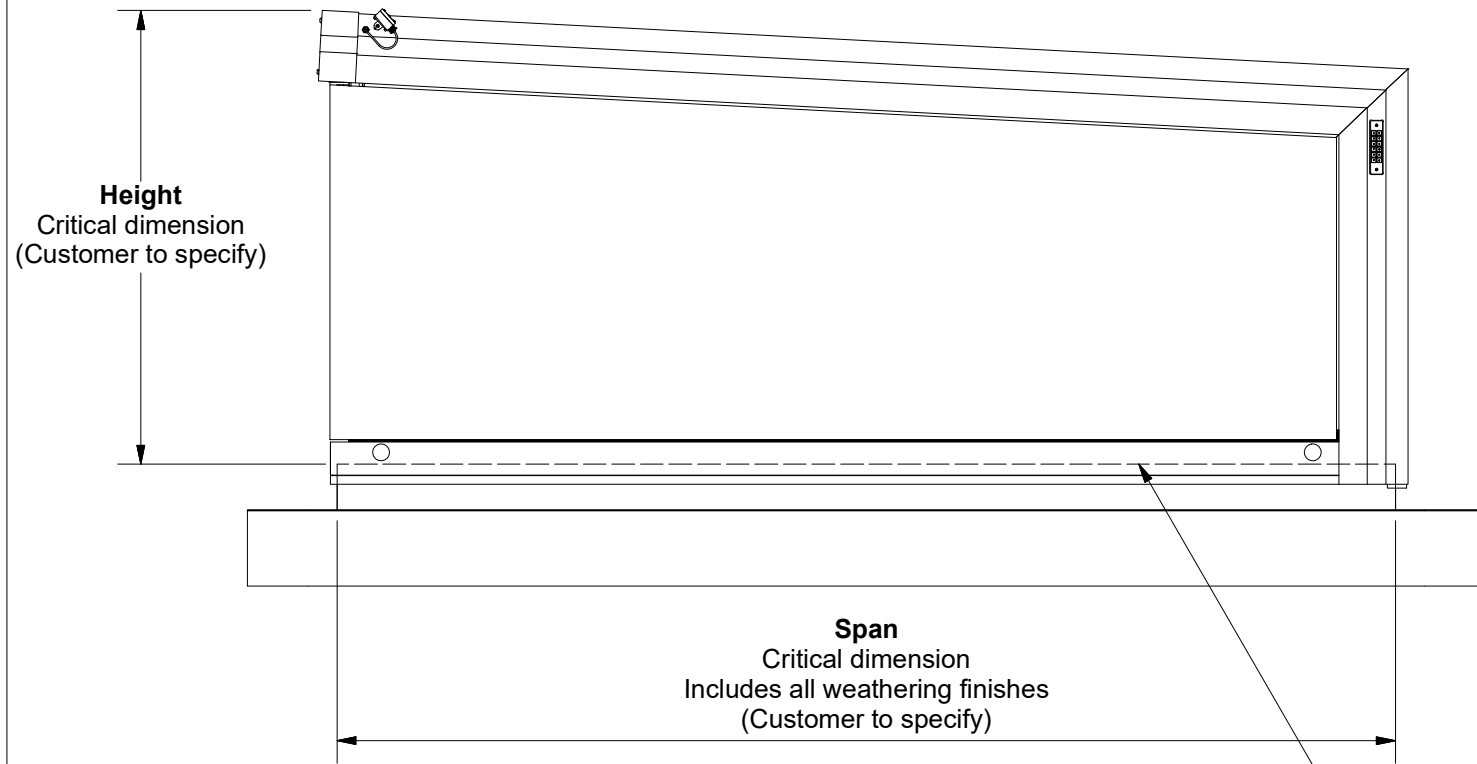
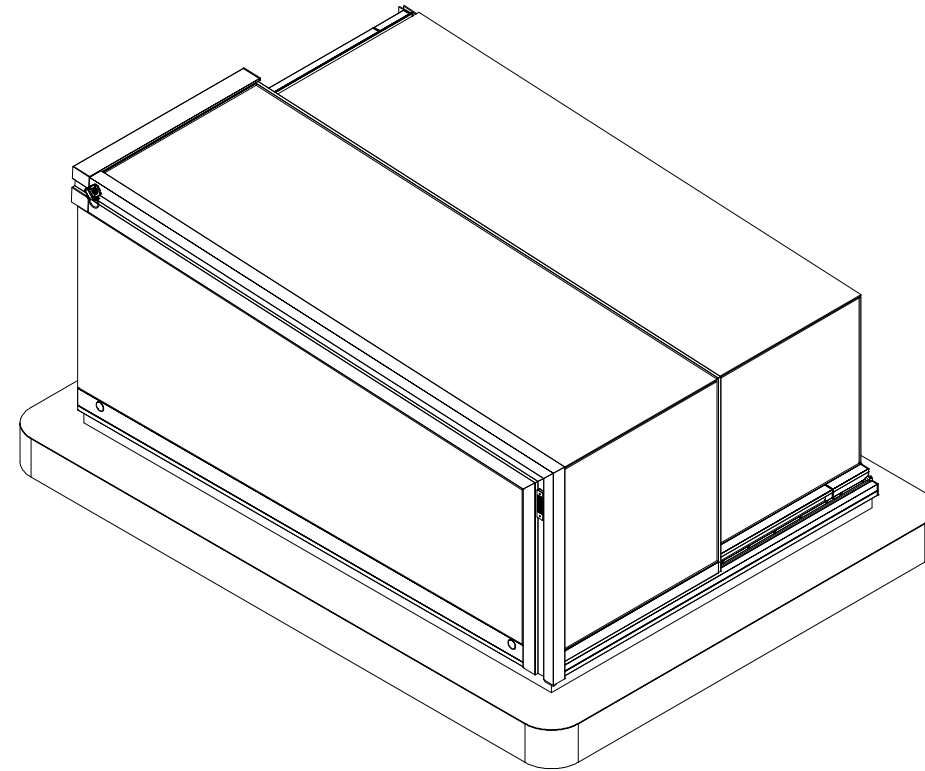
PRODUCT GV Standard Free Standing Skybox

DESCRIPTION
 General Arrangement

DRAWING NUMBER 700-ASS-001 SHEET 1 of 2

Note: Left hand exit product shown - right hand exit will be mirror image

Critical Dimensions



GLASS CONFORMS TO IMPACT RESISTANCE AND BREAKAGE CHARACTERISTICS OF BS EN 12600:2002. IGUs FABRICATED TO BS EN 1279 AND SUPPLIED IN ACCORDANCE WITH BS 5516-2:2004.

FINISH SPECIFICATION:
 POLYESTER POWDER COATED: MIN 40 MICRONS
 STANDARD EXTERNAL COLOUR: **RAL 7015 Slate Grey**
 STANDARD INTERNAL COLOUR: **RAL 9010 Pure White**
FIXING SPECIFICATION: A2 STAINLESS STEEL
SEALANTS SPECIFICATION: NEUTRAL CURE TO BS5889
 ALL DIMENSIONS mm [in] UNLESS OTHERWISE STATED.

GLAZING VISION

UK Office
 Sawmills Road
 Diss Norfolk IP22 4RG
 Tel: +44 (0)1379 658300
 Email: sales@glazingvision.co.uk
 Website: www.glazingvision.co.uk

USA Office
 201 Locust Street
 Hartford Connecticut 06114
 Tel: +1 860 206 8111
 Email: sales@glazingvision.com
 Website: www.glazingvision.com

IT IS GLAZING VISION'S POLICY TO CONTINUOUSLY DEVELOP AND IMPROVE OUR PRODUCTS. WE THEREFORE RESERVE THE RIGHT TO MODIFY OR CHANGE THE DETAIL DESIGN AT OUR DISCRETION AND WITHOUT PRIOR NOTICE.

THIS DRAWING IS COPYRIGHT AND THE SOLE PROPERTY OF GLAZING VISION LTD. THE DESIGNS / INFORMATION IT CONTAINS ARE PRIVATE AND CONFIDENTIAL. IT MUST NOT BE COPIED, EXHIBITED OR COMMUNICATED TO THIRD PARTIES FOR ANY PURPOSE OTHER THAN THAT FOR WHICH IT WAS ISSUED WITHOUT THE WRITTEN PERMISSION OF GLAZING VISION LTD.

REV.	REVISION DESCRIPTION	NAME/DATE
-	Initial release	HL 08.07.19

CHECKED JSL 08.07.19 SCALE NTS

PRODUCT GV Standard Free Standing Skybox

DESCRIPTION
 General Arrangement

DRAWING NUMBER 700-ASS-001 SHEET 2 of 2