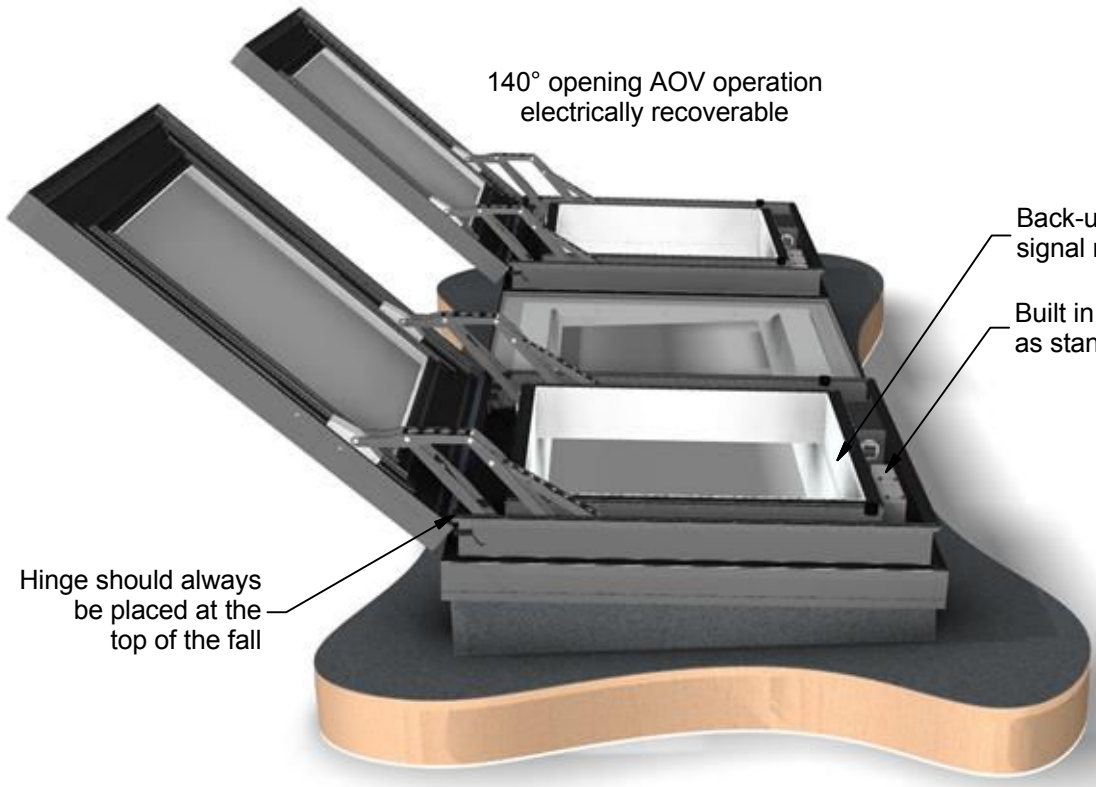


**GV STANDARD INTEGRATED X-VENT**  
ELECTRONICALLY OPERATED AOV HINGED ROOFLIGHTS  
INTEGRATED WITH A FLUSHGLAZE



140° opening AOV operation  
electrically recoverable

Back-up thermistor control cuts in if no  
signal received from fire panel/BMS

Built in battery backup  
as standard

Hinge should always  
be placed at the  
top of the fall



0° - 45°  
Ventilation range

Fully weathered roof top  
and kerb structure (by others)

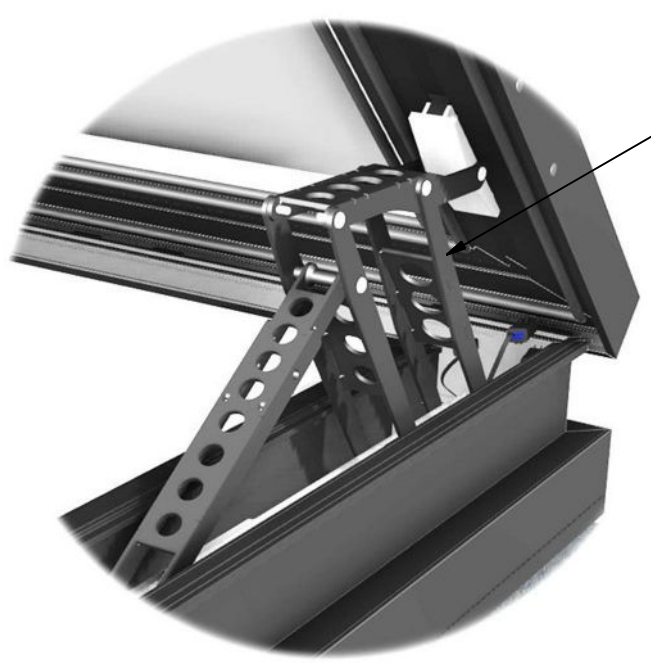
Configuration shown is for reference only  
many options available

Control programmer interface  
(for use by Glazing Vision)

Intelligent electronic control system

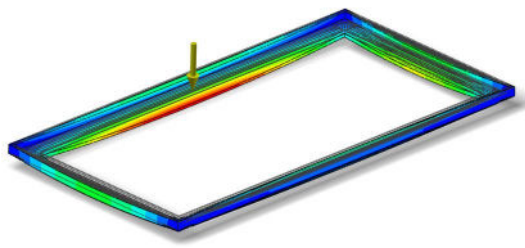
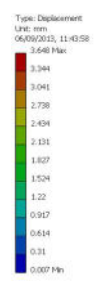
Standard connection to fire panels.  
Optional extra for connection to  
Building Management System (BMS)

**Detail A**  
Mechanism detail view

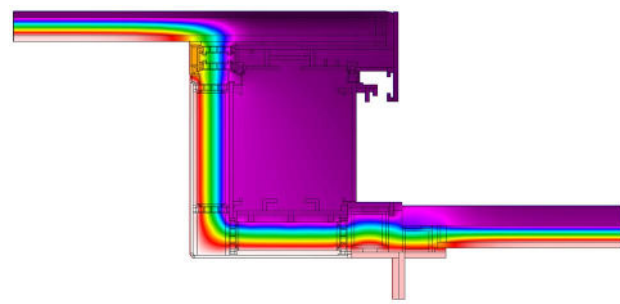
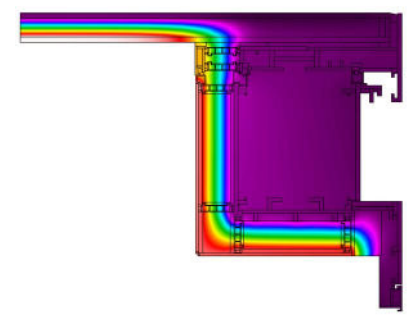


Synchronised electro-mechanical opening  
mechanisms offering clear front opening

**FEA MODELLED FOR  
STRUCTURAL INTEGRITY**



**THERMALLY MODELLED FOR INDUSTRY  
LEADING EFFICIENCY**



**REQUIRES WEATHERED KERB  
(NOT SUPPLIED)  
REFER TO DRAWINGS:  
405-ASS-409  
405-ASS-410  
FOR DETAILS**

**GLAZING VISION**  
Saw Mills Road  
Diss  
Norfolk  
IP22 4RG  
Tel: +44 (0)333 8000 881  
Fax: +44 (0)333 8000 882  
Email: sales@glazingvision.co.uk  
Website: www.glazingvision.co.uk

IT IS GLAZING VISION'S POLICY TO CONTINUOUSLY DEVELOP AND IMPROVE OUR PRODUCTS. WE THEREFORE RESERVE THE RIGHT TO MODIFY OR CHANGE THE DETAIL DESIGN AT OUR DISCRETION AND WITHOUT PRIOR NOTICE. THIS DRAWING IS COPYRIGHT AND THE SOLE PROPERTY OF GLAZING VISION LTD. THE DESIGNS/INFORMATION IT CONTAINS ARE PRIVATE AND CONFIDENTIAL. IT MUST NOT BE COPIED, EXHIBITED OR COMMUNICATED TO THIRD PARTIES FOR ANY PURPOSE OTHER THAN THAT FOR WHICH IT WAS ISSUED WITHOUT THE WRITTEN PERMISSION OF GLAZING VISION LTD.

Third angle projection unless otherwise noted.  
Tolerances:  
Whole numbers = ±1mm  
One decimal place = ±0.5mm  
Two decimal places = ±0.2mm  
All angles 90±0.5 degrees unless specified  
**IF IN DOUBT - ASK! DO NOT SCALE**  
**Supplier to deburr & remove sharp corners**

Rev	Revision Description	Drawn/Date
-	Initial release	JWL 12.02.14

<b>Product:</b> 405 GV Integrated X-Vent		<b>Checked By:</b> PGW
<b>Description:</b> Product overview (Integrated)		
<b>Materials:</b> N/A	<b>Drawn By:</b> JWL	<b>Check Date:</b> 12.02.14
<b>Finish:</b> N/A	<b>Drawn Date:</b> 12.02.14	
<b>Weight:</b> N/A	<b>Quantity:</b> N/A	
<b>Scale:</b> NTS	<b>Drawing No:</b> 405-ASS-408	