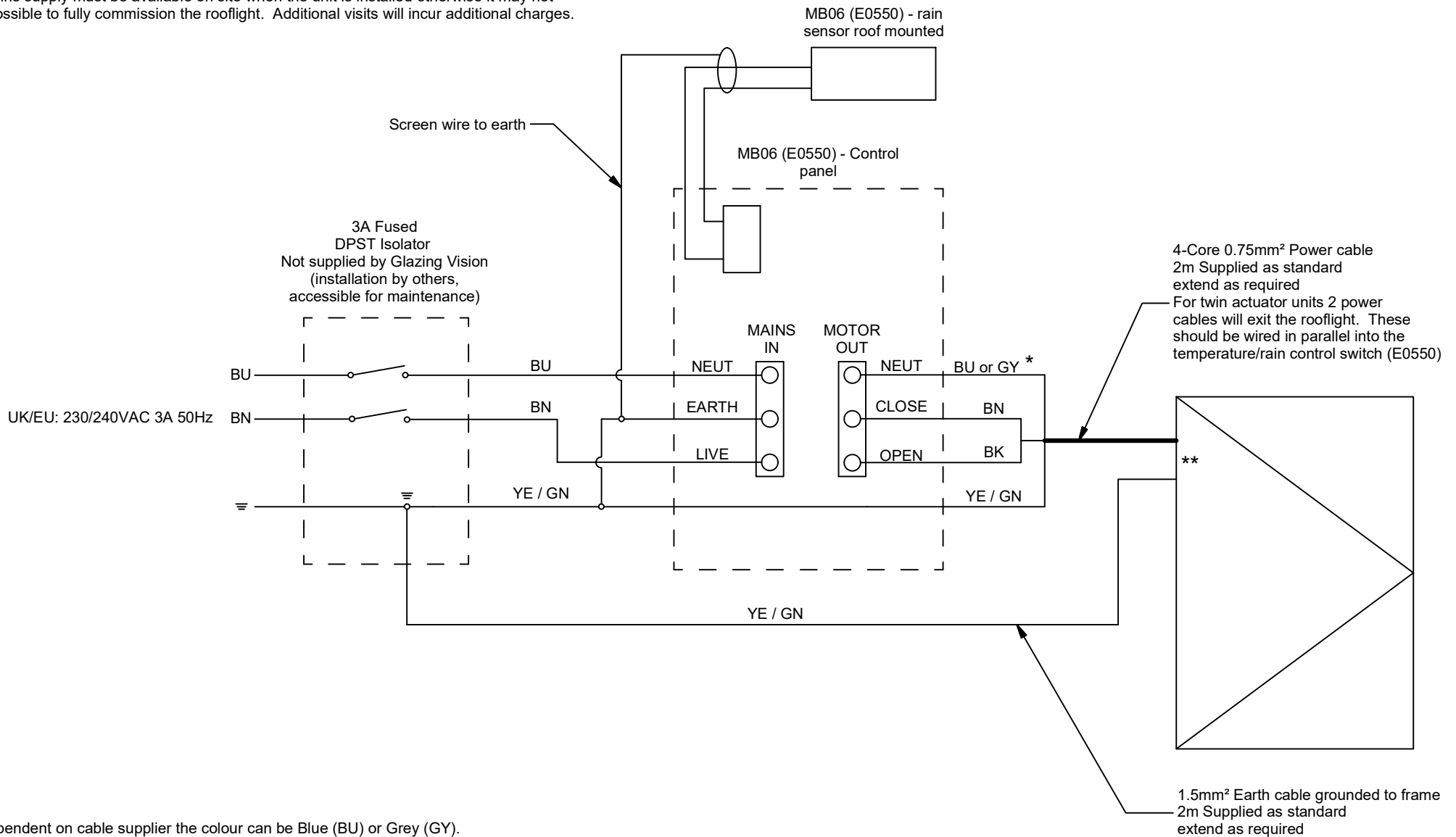


This is a fixed installation all connections should be carried out by a competent person.

A mains supply must be available on site when the unit is installed otherwise it may not be possible to fully commission the rooflight. Additional visits will incur additional charges.



* Dependent on cable supplier the colour can be Blue (BU) or Grey (GY).

** Cables exit from the underside refer to kerb drawing 401-ASS-401 for detailed exit position.

GLAZING VISION

Saw Mills Road
Diss
Norfolk
IP22 4RG

Tel: +44 (0)333 8000 881
Fax: +44 (0)333 8000 882
Email: sales@glazingvision.co.uk
Website: www.glazingvision.co.uk

IT IS GLAZING VISION'S POLICY TO CONTINUOUSLY DEVELOP AND IMPROVE OUR PRODUCTS. WE THEREFORE RESERVE THE RIGHT TO MODIFY OR CHANGE THE DETAIL DESIGN AT OUR DISCRETION AND WITHOUT PRIOR NOTICE. THIS DRAWING IS COPYRIGHT AND THE SOLE PROPERTY OF GLAZING VISION LTD. THE DESIGNS/INFORMATION IT CONTAINS ARE PRIVATE AND CONFIDENTIAL. IT MUST NOT BE COPIED, EXHIBITED OR COMMUNICATED TO THIRD PARTIES FOR ANY PURPOSE OTHER THAN THAT FOR WHICH IT WAS ISSUED WITHOUT THE WRITTEN PERMISSION OF GLAZING VISION LTD.

Third angle projection unless otherwise noted.
Tolerances:
Whole numbers = ±1mm
One decimal place = ±0.5mm
Two decimal places = ±0.2mm
All angles 90±0.5 degrees unless specified
IF IN DOUBT - ASK! DO NOT SCALE
Supplier to deburr & remove sharp corners

Rev	Revision Description	Drawn/Date
D	Clarify possible colours of neutral core	HTT 16.10.20
E	Changed the note about Fused DPST Isolator and removed USA main power Connection	HTT 19.10.20

Product: 401 - GV Standard VisionVent		Checked By: ASB
Description: GV Standard chain vent with rain sensor client wiring diagram		
Materials: N/A		Check Date: 19.10.20
Finish: N/A	Drawn By: JamesB	
Weight:	Drawn Date: 29.06.15	
Quantity: N/A	Drawing No: 401-ASS-419	
Scale: N/A		