

GLAZINGVISION

Installation Manual

Flushglaze

Contents

| Section Description | Page |
|---|------|
| Introduction | 3 |
| Safety Information | 4 |
| Pre-Installation Preparation | 6 |
| Upstand Top Trim Installation | 8 |
| Installation Procedure – Singlepart Units | 9 |
| Installation Procedure – Multipart Units | 11 |
| Installation Procedure – Wall Abutted Units | 16 |
| Installation Procedure – Glass Fin Units | 18 |
| Interior Finishing | 20 |

Introduction

Thank you for purchasing a Glazing Vision Flushglaze. In order to ensure that it gives you many years of service it is important that before commencing any work you read these instructions fully and ensure that they are strictly followed for a successful and trouble free installation.

We recommend that the installation should be undertaken by Glazing Vision Engineers or Approved Installers (installers that have attended a Glazing Vision Installation training course for this product and carry 'Approved Installer' status). This will ensure a reliable product and enable the property owner to benefit from the full 10 year warranty on the product. It should be noted that an installation by non-approved installers will result in a reduced warranty period of just 2 years.

By following the correct installation procedure, a reliable and high performing end result is guaranteed. The critical operations that can lead to problems if not done correctly are the lifting, preparation of the upstand, and ensuring the correct line and level when mounting. Taking the time to carry out these operations correctly will ensure that the product does not twist or distort making sure that the installed product has no undue stresses in the frame or glass.








Care should be taken when working on the product, avoiding accidental damage and ensuring product reliability.

Should you have any queries beyond this manual please do not hesitate to contact Glazing Vision.



Safety Information

Installation of your rooflight may involve working at heights, working at an unusual angle, being in unfamiliar locations or all of these. **Before** work is commenced, stop and consider the best way to carry out the task and what hazards you might encounter.

| | |
|---|---|
|  | <p>Let our experts carry out your routine maintenance with a maintenance contract.</p> <ul style="list-style-type: none">  +44 (0)1379 658300  sales@glazingvision.co.uk |
|  | <p>These products can be very heavy. Extreme care must be taken during handling and installation. Full consideration should be given to how you will safely transport your rooflight product from the delivery vehicle to the installation location. Glazing Vision strongly recommends that specialist, mechanical lifting equipment is employed.</p> |
|  | <p>Consider:</p> <ul style="list-style-type: none"> • The weight(s) of the product purchased. • How you will safely transport your rooflight product from the delivery vehicle to the installation location. • All lifting methods and equipment required for safe installation to eliminate manual handling. • How you will safely access the area to carry out installation. • Any openings, voids or unprotected edges that might pose a significant risk whilst working at height. • Use of scaffolding with all appropriate edging, rails and inspection certification. • If specialist access or equipment is required e.g. a fall arrest system. • What personal protective safety equipment (PPE) is required for working at height – e.g. harness. • Methods for safe working, for example, to avoid falling from height, reducing manual handling and so as not to drop equipment. • How you will transport tools and other equipment to the installation area. • The number of persons required to assist with safe installation. • The competence, capability and experience of the installation team to safely carry out the task. • Impact of weather on safe installation, especially driving rain and high winds. <p>If in doubt, please contact Glazing Vision for assistance.</p> |
|  | <p>Anticipated hazards may include:</p> <ul style="list-style-type: none"> • Falls from height • Working with specialist lifting equipment or third-party lifting • Manual handling injury • Equipment falling from height • Slips, trips and falls • Fragile roof areas. • Finger or clothing entrapment under unit, in mechanical or moving parts • Impact of weather conditions • Competence of personnel |
|  | <p>Do not attempt to repair, move or dismantle the product unless suitably competent and qualified to do so, with the appropriate safety measures in place. Any repairs and/or movement of the product may invalidate the warranty. Please seek advice from Glazing Vision.</p> |



Warning

The following warnings are here to prevent personal injury and damage to the product. Please follow them explicitly.

General:

- The product must be properly installed and commissioned in accordance with this manual before it is used.
- Glazing Vision strongly recommends that any work is carried out by suitably qualified individuals (e.g. Glazing Vision Engineers or Approved Installers, or an experienced service engineer).
- Glazing Vision strongly recommends that specialist, mechanical lifting equipment is employed.
- Use the product only for its intended purpose.
- Regular cleaning and maintenance must be carried out according to guidelines.
- A safe working platform must be provided for any installation/maintenance work carried out. This includes suitable edge protection.
- Glazing Vision cannot be held responsible for damage incurred during the lifting and transportation of the product to the installation location (please refer to terms and conditions of sale).

Pre-Installation:

- Glazing Vision products are heavy, fragile and of awkward shape and size. There may be uneven weight distribution due to the materials used and their design.
- The weight(s) of each individual product (or product section) will be clearly marked on the product and will be communicated to clients before despatch of goods.
- Never install any product showing signs of damage. If in doubt consult Glazing Vision for advice.
- Please dispose of the packaging material for this product in a considerate manner. Cardboard and wood items are widely recycled.

During Use:

- Do not place anything on, walk or sit on the unit (except if a walk-on unit).

For more information or assistance please contact Glazing Vision.

Pre-Installation Preparation



These products can be very heavy. Due consideration should be given to getting the product onto the roof safely and extreme care taken during installation.

Points to Note Prior to Commencing Installation

1. The Flushglaze should arrive on site in undamaged packaging, which includes a wooden build frame/blocks, cardboard, polyfoam glass protection and low tack tape. Please inspect for damage to packaging and/or product and advise Glazing Vision of any damage or shortfall within 48 hours from signing the receipt of your delivery.
2. Enclosed within the box containing this manual will be the required number of fixing woodscrews and a number of plastic packers, as well as some silicone and other required materials and any additional optional items selected at the time of order.

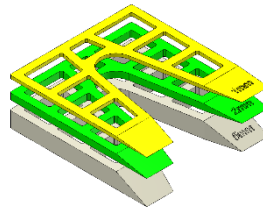
Standard Installation Hardware

Enclosed within the hardware box for each unit you should find at least the following:

Stainless steel woodscrews



Plastic horseshoe packers



(various sizes)

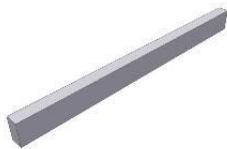
Low modulus silicone



Multipart Units

If a multipart unit is specified, the following items should also be included:

Joining plates



Polyethylene backing rod



Low modulus silicone



Secondary Seal



Drainage Hole Covers



Back-to-Back Angle Units

If a multipart unit with back-to-back angles is specified, the following item should also be included:

Countersunk sex bolts



Wall Abutted Units

If a unit with wall abutments is specified, the following item should also be included:

Expanding bolts (or wall plugs)



Glass Fin Units

If a multipart unit with glass fins is specified, the following items should also be included:

Glass fin brackets and fixings



Black EPDM rubber sheet



Black silicone sheet



Fire Rated Units

If a fire rated unit is specified, the following items should also be included (instead of low modulus silicone):

Fire-rated ceramic tape



Fire-rated silicone



3. The upstand must already be in place for the product. The dimensioning of the product will have taken into consideration the external dimensions of the upstand including all weathering. More information about upstand construction can be found in Glazing Vision's sales drawings. **Please note that a minimum distance of 150 mm clearance between the upstand and any surrounding structures must be left on all sides. Sufficient room for installation and maintenance must also be allowed for.**
4. It is important to ensure that the area of installation is suitably prepared. The area surrounding the upstand should be clear to provide safe access during the installation works. It will be necessary to work on the inside and outside and therefore suitable provisions should be made for safe handling of the product, including all relevant personal protective equipment (PPE) and safety systems for working at heights.
5. Before starting installation, Glazing Vision advises that the physical upstand dimensions are cross-checked with those given for the order, to ensure the product will fit. The upstand will need to be within ± 10 mm of the ordered size. The top surface of the upstand should be flat without undulations greater than ± 2 mm. Also check the diagonals to ensure that the upstand has been constructed square. The upstand must be weathered as per the sales drawings. **If using any metallic waterproofing material, this cannot be applied across the top surface of the upstand as this will cause a thermal bridge which can lead to internal condensation and invalidate the product warranty.**
6. These products can be very heavy. Glazing Vision strongly recommends that a structural engineer is consulted when designing the structure(s) that will support the product and the surrounding structure. **Nothing in this manual or on Glazing Vision's sales drawings constitutes a structural proposal.**
7. Glazing Vision strongly recommends that a 'dry run' (without any silicone) is completed before committing to the final installation.

Sales Drawings

Sales drawings for the Flushglaze can be obtained by downloading them from Glazing Vision's website (www.glazingvision.co.uk/resources) or by contacting Glazing Vision.

Upstand Top Trim Installation (If Specified)



If you are installing glass fins, the upstand top trim will require trimming around the glass fin brackets, therefore the upstand top trim should be fitted **after** the dry run, and after the glass fin brackets, but before the glass fins are installed. For Singlepart units and units with back-to-back angles, the upstand top trim should be fitted first.

Begin by cutting the upstand top trim to the lengths required for all sides of the upstand. The corner joints can either be mitred (45°) or straight cut with notches (see image below). If the material requires bending to suit the pitch of the upstand, this can be achieved by screwing the section to the upstand as below and gently tapping the horizontal part using a clean rubber mallet.

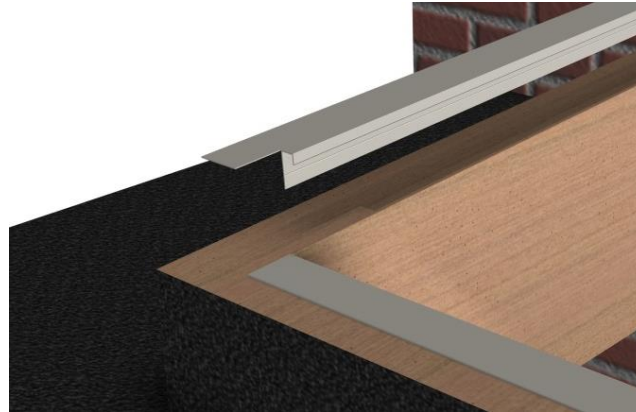


Figure 1 – Upstand top trim placement

The upstand top trim should be cut to size along its length to leave a dimension of 60 mm between the edge of the trim and outside of the upstand. This dimension ensures that the visible internal upstand top is covered and that there is no contact between the upstand top trim and the exterior product framework. The upstand top trim is supplied with 5 grooves along the underside. These grooves can be used to help guide a saw or similar when trimming the cover to size. **Failure to follow this step exactly may result in a thermal bridge.**

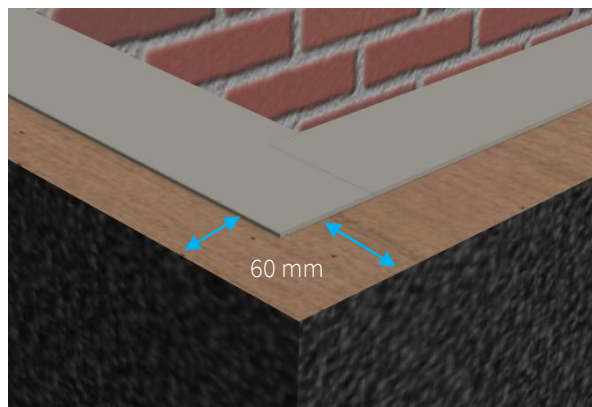


Figure 2 – Upstand top trim measurements

After all upstand top trim lengths have been cut to size and adjusted to fit, they can be fixed into place with the supplied fixings. Drill holes at approximately 500 mm centres using the groove to aid with positioning of the drill bit. The upstand top trim has been designed to accept standard 12 mm plasterboard to ensure a flush finish. Refer to the sales drawings for more information.

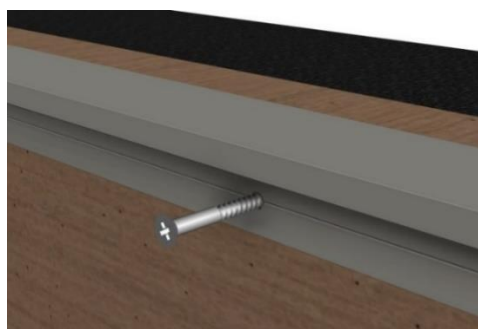


Figure 3 – Upstand top trim fixings

Installation Procedure - Singlepart Units



If the unit has wall abutments, please refer to the relevant section about wall abutments in this manual before starting installation.



Prior to commencing installation, **photographs of the fully weathered upstand and surrounding area** must be taken and retained for future reference.

Step 1

Remove all packaging from the product including polyfoam glass protection and low tack tape.



When removing the packaging, try to keep it intact as much as possible, so that after installation it can be re-used to protect the product until project completion and final handover.

Gently prise all of the upstand fixing clip on covers off the framework drip legs (note that Circular Flushglaze products do not have this feature).

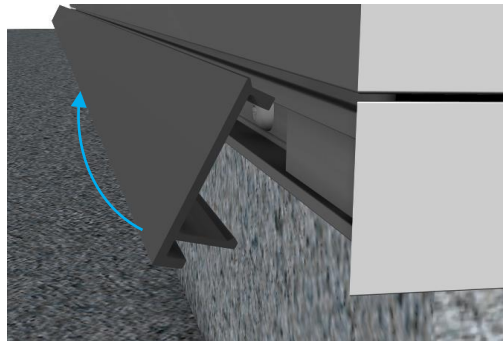


Figure 4 - Clip on cover

Step 2

For Standard and Walk-On Flushglaze units, apply two large lines of silicone (supplied in the installation kit) to the top of the upstand. The two lines of silicone need to be approximately 20 mm and 40 mm in from the outside face of the upstand. For fire rated units, instead of the above, one line of ceramic tape is applied approximately 20 mm from the outer face of the upstand, and one line of fire rated silicone is applied 40 mm from the outer face of the upstand.

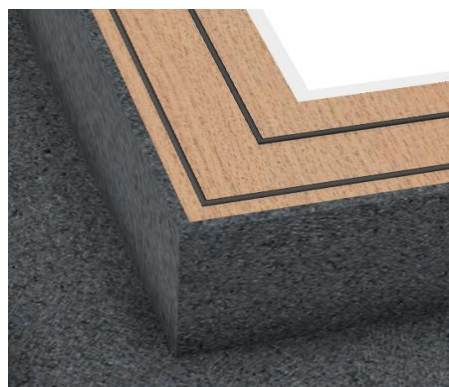


Figure 5 – Silicone placement

Step 3

Fit the chosen lifting equipment to the unit and check that it is secure.

Carefully lift the product to the installation site (roof) using straps underneath the wooden build frame/blocks. This is to ensure that the build frame/blocks do not separate from the product during the lift.

Step 4

When on the roof the product should be lifted off the wooden build frame/blocks (remove the fixings first) and then gently lowered onto the upstand.

With the framework in contact with the upstand top and the majority of the weight still supported by the crane/lifting equipment, adjust the position of the product on the upstand so that the internal framework is equally spaced and aligned with the internal finishes. Take care when positioning the product during final installation, as **once the weight of the unit has been placed onto the sealants it adheres to the upstand making repositioning difficult.**

Once satisfied that everything is correctly positioned, carefully release the weight of the product. Remove the crane and lifting equipment.

Step 5

Drill Ø3 mm pilot holes into the upstand through the pre-drilled holes in the product's framework (concealed by the clip on cover). Secure the product to the upstand using the woodscrews and packers provided in the hardware kit. The packers must fill the entire gap between the upstand and product for each woodscrew. Care should be taken when tightening the fixings to ensure the frame does not distort. Fit the clip on covers back onto the unit (note that Circular Flushglaze products do not have this feature).



If installing into an alternative material to wood, it may be necessary to source suitable wall plugs and/or fixings to use instead of those provided.

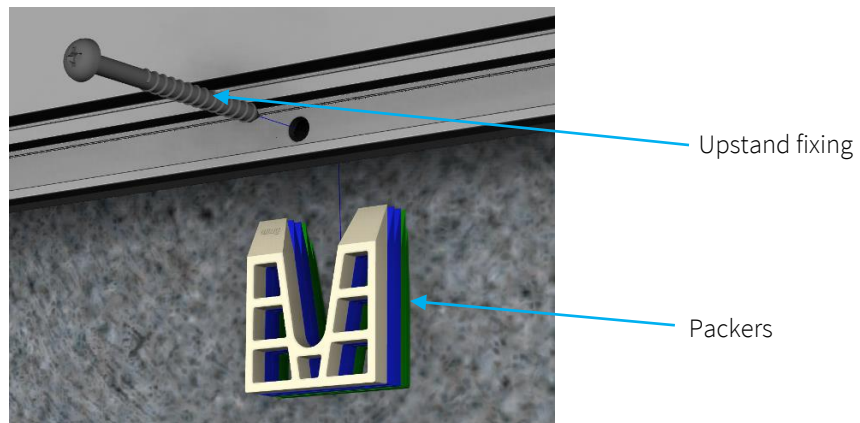


Figure 6 - Upstand fixings



Once installation has been completed take **photographs of the finished installation.** These must be retained for future reference.

Installation Procedure - Multipart Units



If you are installing glass fins and/or wall abutments, please refer to the relevant section(s) in this manual before starting installation.



Multipart Flushglazes with glass fins should only be dry fitted with the glass fins in place. This is because the glass fins provide essential support for the glazing units, and without this support the glass may fail.



When all sections of a Multipart Flushglaze are in place during a dry fit, the centre lines should be marked with a pencil onto the upstand/wall. These marks will be used to reposition the unit during final fit. The product can now be installed properly.



Prior to commencing installation, **photographs of the fully weathered upstand and surrounding area** must be taken and retained for future reference.

Step 1

Remove all packaging from the product including polyfoam glass protection and low tack tape.



When removing the packaging, try to keep it intact as much as possible, so that after installation it can be re-used to protect the product until project completion and final handover.

Gently prise all of the upstand fixing clip on covers off the framework drip legs.

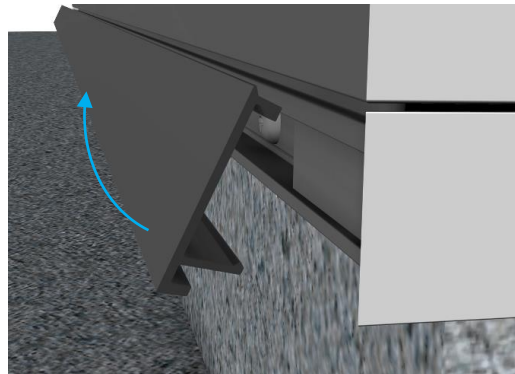


Figure 7 - Clip on cover

Step 2

Apply two large lines of silicone (supplied in the installation kit) to the top of the upstand. The two lines of silicone need to be approximately 20 mm and 40 mm in from the outside face of the upstand.

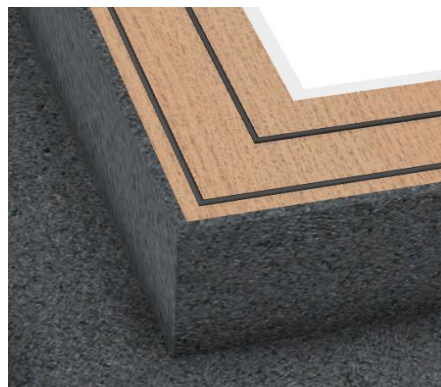


Figure 8 – Silicone placement

Step 3

Fit the chosen lifting equipment to the unit and check that it is secure.

One section at a time, carefully lift the product to the installation site (roof) using straps underneath the wooden build frame/blocks. This is to ensure that the build frame/blocks do not separate from the product during the lift.

Step 4

The frames have unique identifiers to ensure correct installation. It is important to place the sections with their corresponding letters (on products without back-to-back angles the identifier is located on the underside of the Flushglaze frame). A typical 3 section product would be numbered in the following order:

| |
|-------------------|
| End of Flushglaze |
| N40372-RL1-1-A |
| N40372-RL1-2-A |
| N40372-RL1-2-B |
| N40372-RL1-3-B |
| N40372-RL1-3-C |



Figure 9 – Unique identifier number

When on the roof an end section should be lifted off the wooden build frame/blocks (remove the fixings first) and then gently lowered onto the upstand.

With the framework in contact with the upstand top and the majority of the weight still supported by the crane/lifting equipment, adjust the position of the section on the upstand so that the internal framework is equally spaced and aligned with the internal finishes. Take care when positioning the product during final installation, as **once the weight of the unit has been placed onto the sealants it adheres to the upstand making repositioning difficult.**

On units with back-to-back angles, check that the cut outs in the back-to-back angles are suitably sized so that the gap between the structural upstand and the back-to-back angle is no more than 20 mm. Where the back-to-back angles meet the upstand, plastic shims should be placed on top of the upstand to fill any voids and ensure that the weight of the sections is carried across the full width of the upstand.

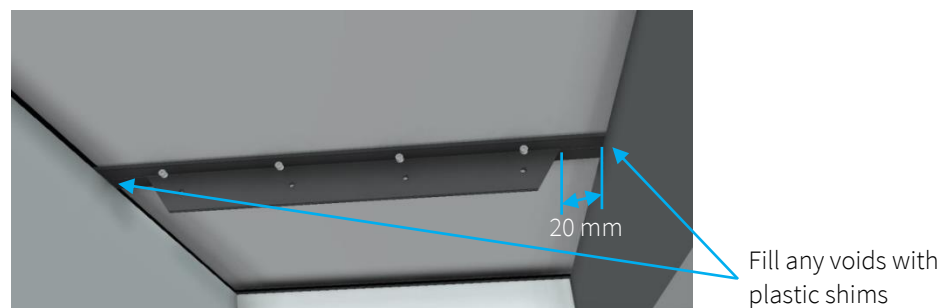


Figure 10 – Back-to-back angles

Once satisfied that everything is correctly positioned, carefully release the weight of the product. Remove the crane and lifting equipment. Repeat for the rest of the sections.



Figure 11 – Section placement

Align each frame section with its adjacent frame using the joining plates supplied. Note that wall abutments do not accommodate a joining plate. Repeat this step for all sections of the product.

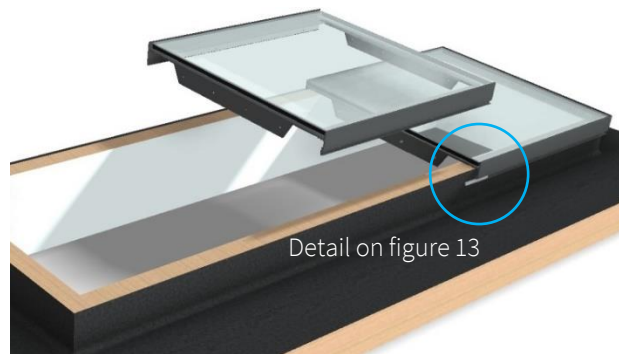


Figure 12 – Joining plate inserted

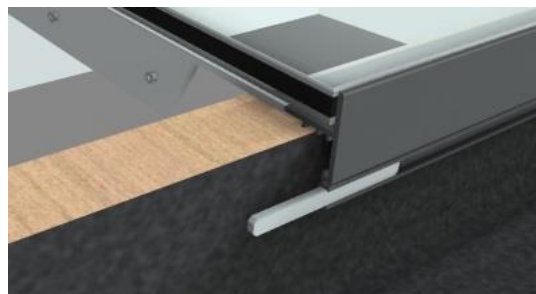


Figure 13 – Joining plate inserted

Step 5

Once installed, the back-to-back angles (if present) can now be fixed together using the countersunk sex bolts (supplied).

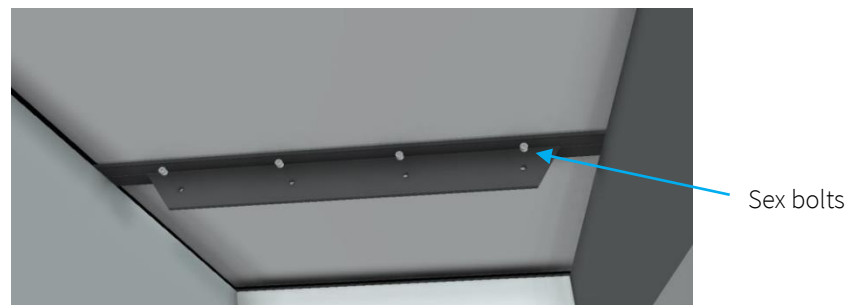


Figure 14 – Back-to-back angle fixing

Step 6

Drill Ø3 mm pilot holes into the upstand through the pre-drilled holes in the product’s framework (concealed by the clip on cover). Secure the product to the upstand using the woodscrews and packers provided in the hardware kit. The packers must fill the entire gap between the upstand and product for each woodscrew. Care should be taken when tightening the fixings to ensure the frame does not distort. Fit the clip on covers back onto the unit.



If installing into an alternative material to wood, it may be necessary to source suitable wall plugs and/or fixings to use instead of those provided.

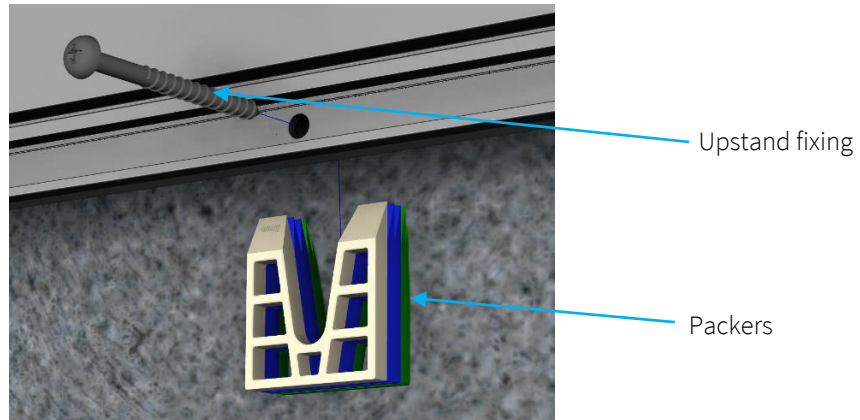


Figure 15 - Upstand fixings

Step 7

Once all the sections are securely fastened to the upstand, cut the required length(s) of the secondary seal (not to be used in self-supporting joints) to fit between the gaps of the glass sections (there should be approximately an 8mm gap between the glazing units). Place the seal into the gap and press it down slightly into the gap using a blunt tool preferably a depth gauge.

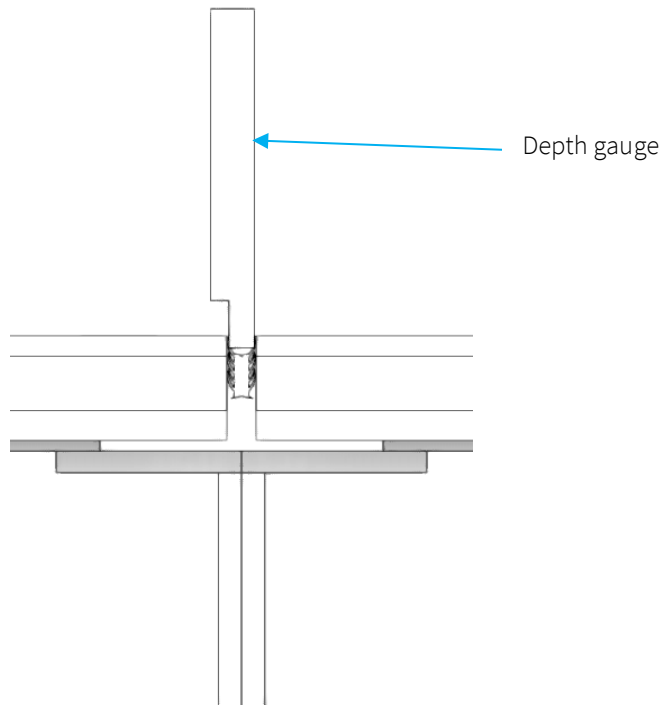


Figure 16 - Secondary Seal

Step 8

Exclude step 8 for walk-on units with a 25.5mm outer pane, see 402-SDD-UK-011 for more detail on this.

Next, cut the appropriate lengths of polyethylene backing rod to fit over the secondary seal in the same gaps between the glass sections. With the secondary seal already in place, insert the backing rod on top of it. Press both the backing rod and the secondary seal down together into the gap, ensuring that the backing rod is positioned 8mm below the outer surface of the glass. After pressing

them into place, wait at least 15 minutes to allow any compressed air to escape from the backing rod (otherwise the air can cause bubbles in wet silicone).

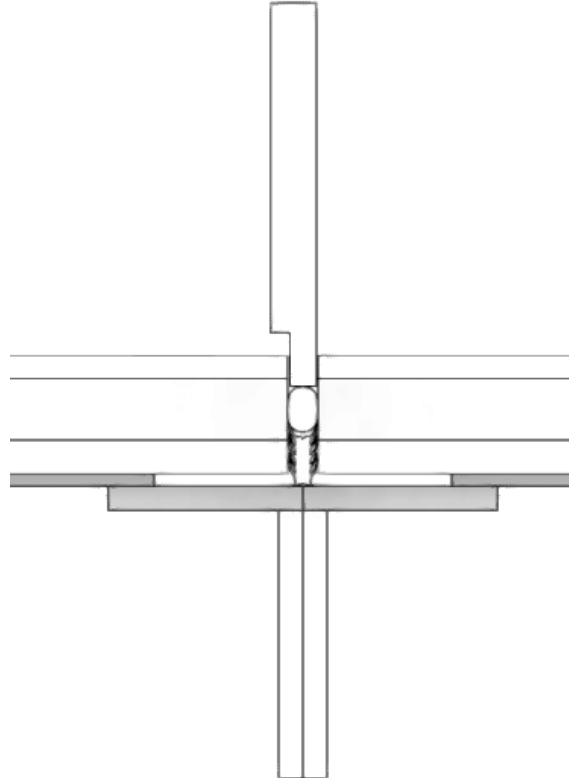


Figure 17 – Backing Rod and Secondary Seal Installation

Step 9

For each gap, apply enough silicone to overfill the gaps and tool off the excess silicone (a suggested method is to use the open end of a used silicone tube with some soapy water) to finish the joint. When tooling off the excess silicone, ensure the surface is flush and there are no cavities where water could collect, as this could affect the long-term performance of the seal.

If the product has glass-to-glass joints (self-supporting), repeat this process for the interior surface as well.

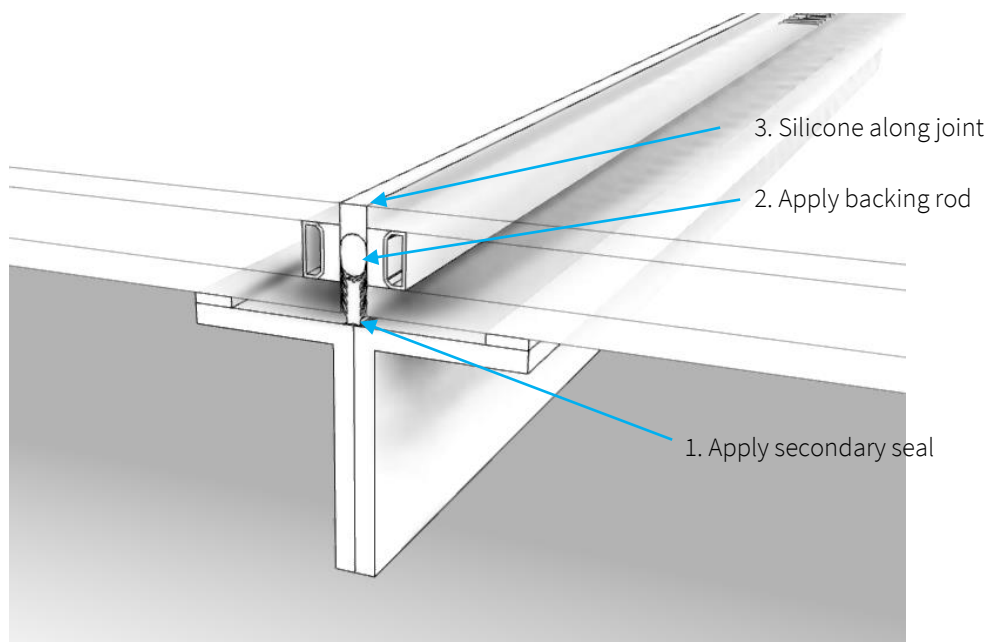


Figure 18 – Back-to-back glazed unit joining

Step 10

Finally, insert the drainage hole covers into the drainage holes located at opposite ends of the back-to-back.

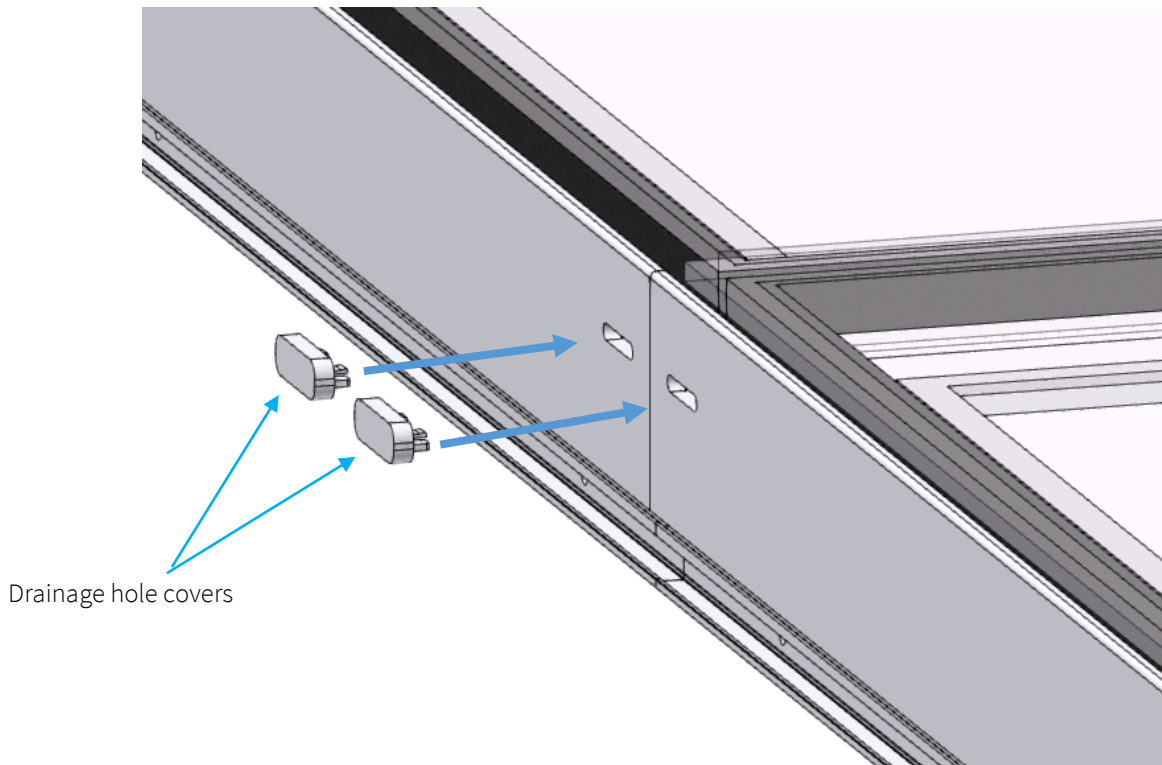


Figure 19 – Drainage hole cover installation

The edges of the frames should sit flush and should not require any finishing. If for whatever reason they do require external finishing, the appropriate colour of silicone to match the framework can be run along the joint.



Once installation has been completed take **photographs of the finished installation**. These must be retained for future reference.

Installation Procedure – Wall Abutted Units



If you are installing glass fins as well as wall abutments, please refer to the relevant section about glass fins in this manual before starting installation.



If the unit is a multipart then refer to the specific multipart installation instructions for detailed section assembly.

A suitable lead (or similar) flashing will be required over the wall abutment following installation. This will need to be done by a builder. To reduce the possibility of damage to the glass it is recommended that any chasing of brickwork for flashings is completed prior to product installation. It is also recommended that temporary battens are secured to the wall to support the weight of the product during installation. The battens should be installed in line with the top of the upstand (note the pitch of the product). The battens can be removed when installation is complete.

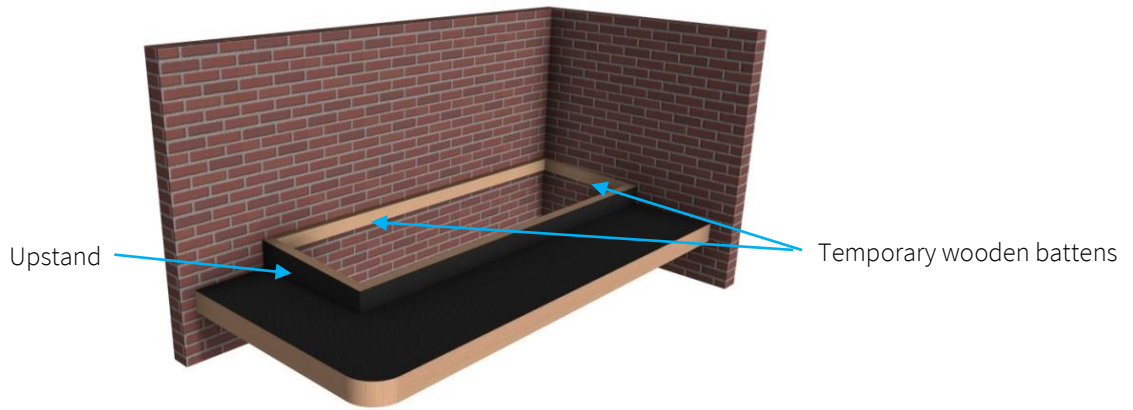


Figure 20 – Temporary wooden support battens in place

Step 1

If not already done so, install the temporary support battens.

Remove all packaging from the product including polyfoam glass protection and low tack tape.



When removing the packaging, try to keep it intact as much as possible, so that after installation it can be re-used to protect the product until project completion and final handover.

Step 2

A dry fit is needed first, so that the fixing holes can be drilled into the wall. Dry fit the product (install without adhesives), then mark the position of the fixing holes through the pre-drilled holes in the product’s framework.

Remove the product and drill Ø3 mm holes into the upstand. For standard units drill Ø8 mm x 60 mm holes into the wall. For Walk-On units, drill Ø10 mm x 80 mm holes into the wall. Insert the wall plugs.

Follow the relevant installation instructions for either a Singlepart or Multipart unit and insert all upstand fixings.

Secure the product to the upstand using the woodscrews (or expanding bolts for wall abutments on Walk-On Flushglaze units) and packers provided in the hardware kit. The packers must fill the entire gap between the upstand and product for each woodscrew. Care should be taken when tightening the fixings to ensure the frame does not distort. Once the fixings are all in place the temporary support battens can be removed.

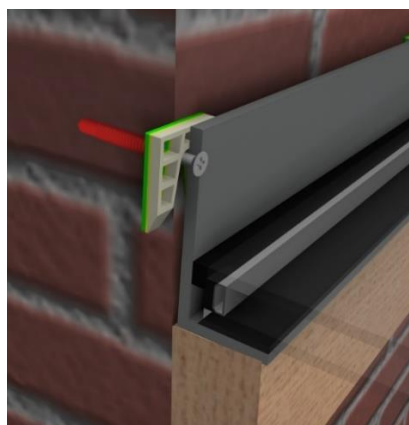


Figure 21 – Wall abutment fixed in place

Step 3

To finish the wall abutments, run a bead of silicone along the edge of the framework, both inside and outside.

Step 4

A suitable lead (or similar) flashing should now be installed over wall abutment. This needs to be done by a builder.

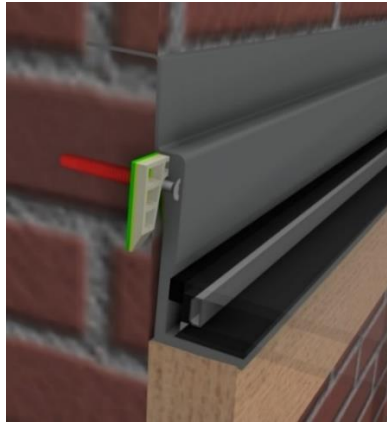


Figure 22 – Lead flashing applied over the wall abutment



Once installation has been completed take **photographs of the finished installation**. These must be retained for future reference.

Installation Procedure – Glass Fin Units



Glass fins are toughened laminated units and should be kept in an upright position to prevent them from sagging as this could cause them to shatter. For glass fins positioned along the pitch there will be one upper (angled) and one lower (angled) bracket per fin. For glass fins positioned across the pitch there will be two right angled brackets.

Step 1

If not already done so, install the temporary support battens for any wall abutments.

Remove all packaging from the product including polyfoam glass protection and low tack tape.



When removing the packaging, try to keep it intact as much as possible, so that after installation it can be re-used to protect the product until project completion and final handover.

Step 2

When installing units with glass fins, marking out is required to ensure accurate location of the support brackets. The location of the brackets is critical to ensure that the glazing is structurally supported. Initially measure the product sections and mark the centrelines between sections.

Measure 75 mm to the left of each centreline and mark off on the wall/upstand. This represents the location for the left hand edge of the support bracket. The top edge of the back plate of the support bracket should be level with the top surface of the upstand.

Step 3

Upstand Mounted Glass Fin Brackets

Select the appropriate glass fin support bracket and align the left hand side to the mark made on the upstand - so the centre of the bracket is in line with the pencilled centreline and the top of the bracket sits flush with the top of the upstand. Drill a pilot hole for each screw fixing and fasten the bracket to the upstand using the woodscrews and plastic packers provided ensuring a nominal 5 mm gap from the face of the upstand (use wall plugs if needed). Repeat this for all upstand mounted glass fin brackets.

Once they are all in place, if upstand top trim is being used, it can be trimmed to fit around the glass fin support bracket(s). The front leg (11 mm long) should be trimmed to fit around the protruding bracket, and the back leg (37 mm long) should be trimmed to fit around the back plate. Once this is done, the upstand top trim can be fitted.

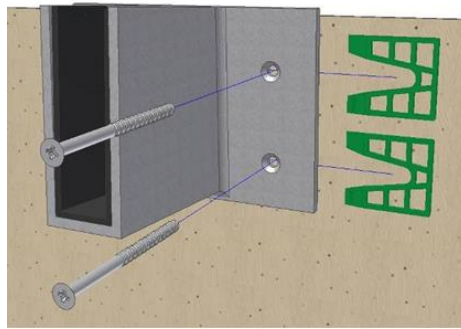


Figure 23 – Fixing an upstand mounted glass fin support bracket



Figure 24 – Glass fin support bracket with upstand top trim

Wall Mounted Glass Fin Brackets

Select the appropriate glass fin support bracket and align the left hand side to the mark made on the upstand - so the centre of the bracket is in line with the pencilled centreline and the top of the bracket sits flush with the top edge of the temporary support batten (installed earlier). Drill a small pilot hole for each screw fixing and fasten the bracket to the upstand using the woodscrews, wall plugs, and plastic packers provided ensuring a nominal 5 mm gap from the face of the wall. Repeat this for all wall mounted glass fin brackets.

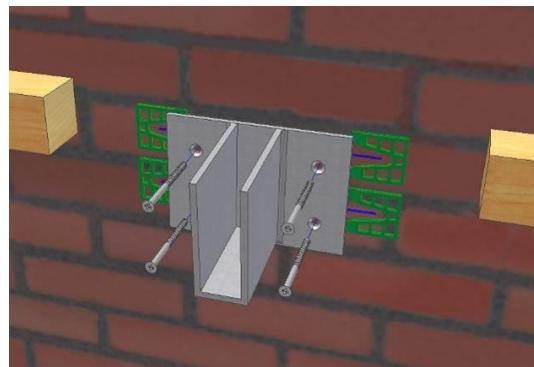


Figure 25 – Fixing a wall mounted glass fin support bracket

Step 4

When all brackets are fixed in place, the glass fins can be placed inside them. Use the supplied 3 mm EPDM rubber to line the fin bracket and protect the glass from any possible contact with the metal. The top of the glass fins will be blacked out on the top side for aesthetic purposes. Ensure if the glass fins have any notches that these are placed upwards (underneath where wall abutments are present) to avoid any contact with product framework. Once installed, check that the glass fins sit approximately 6mm above the level of the upstand, use plastic shims within the glass fin support bracket to raise the level of the glass fin if needed.

To provide support to the glass and as a barrier against glass-to-glass contact, 75 mm long strips of silicone sheet should now be placed at intervals across the top of the glass fins leaving 400 mm - 500 mm gaps between each silicone strip.

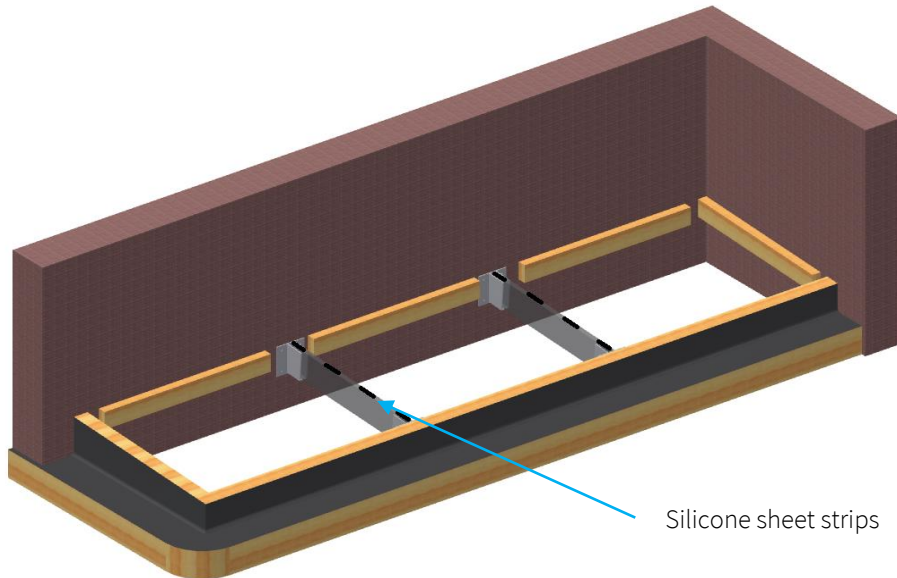


Figure 26– Silicone sheet strips placed at intervals along the glass fins

The installation can now be continued following the installations for a Multipart unit. Take care not to damage the glass fins.

Once installed, to finish the glass fins, black silicone should be applied along the top of the glass fins, filling the gaps between the silicone sheet strips. Check that there are no air gaps present and fill them if needed. To provide an aesthetic finish, a fillet of silicone should then be applied along the edge of the fin between the top of the fin and underside of the glass on both sides of each glass fin.



Once installation has been completed take **photographs of the finished installation**. These must be retained for future reference.

Interior Finishing

Glazing Vision does not specify the finishes permitted except for the following stipulations:

- The finish must be built up to the internal dimension of the product – see Glazing Vision’s sales drawings.
- No interior metal component (for example edging strips for plastering) may touch any part of the product framework.
- Any airspaces between the aluminium frame of the product and the internal finishes must be filled with insulating material.
- Nothing should be fixed directly to the product.



Contravention of any of these stipulations may severely undermine the thermal efficiency of the product.