

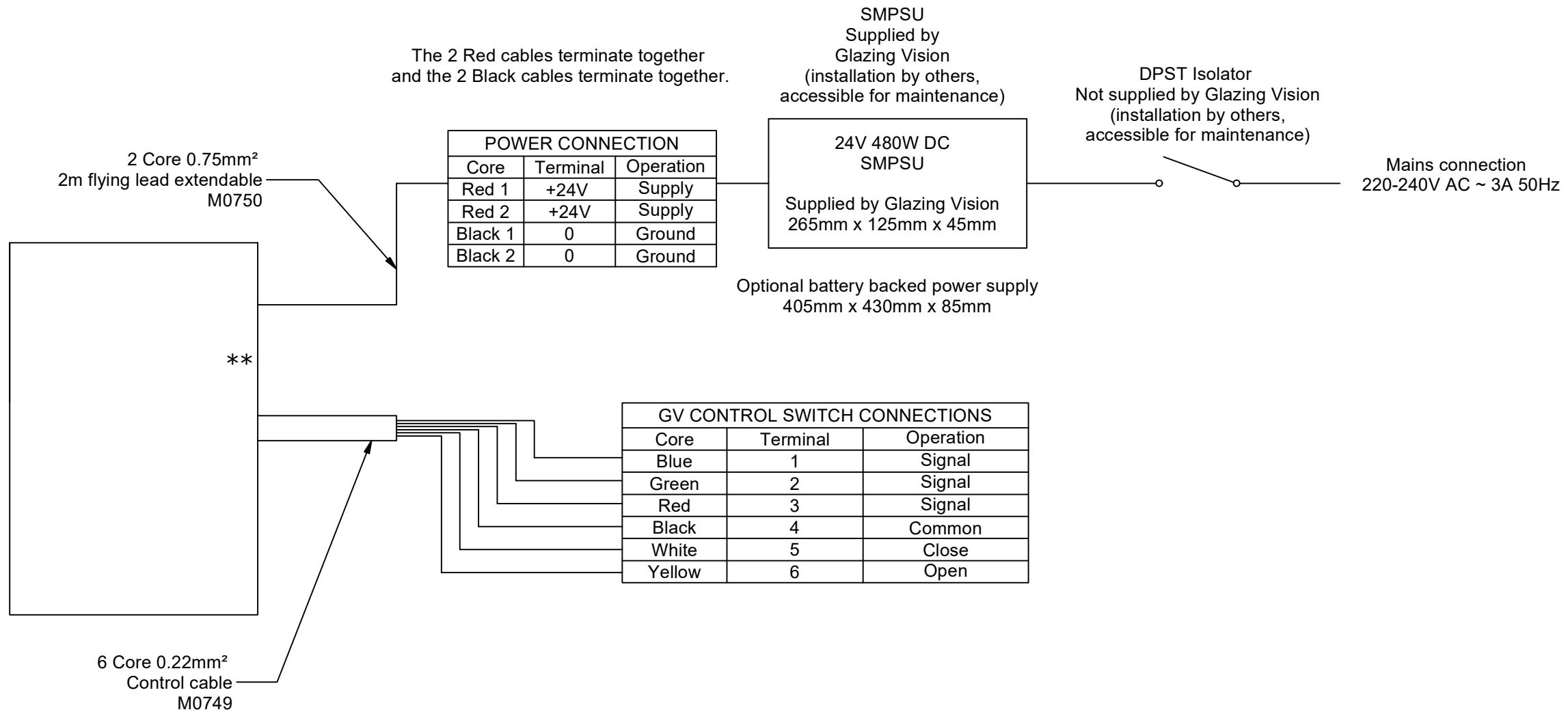
Mains Connection and Control Switch Connection with External PSU (Skydoor 2 only)

This is a fixed installation. All connections should be carried out by a competent person. This applies **only** for the Skydoor 2.

For units requiring commissioning, a mains supply must be available on-site when the unit is installed. Additional visits may incur additional charges.

For maintenance reasons, the control switch must always be installed.

All cables supplied are 2m long, extendable to 10m with appropriate cable.



OTHER CONNECTIONS	
Description	Drawing Number
Secondary Control Switch or BMS Connection	100-SDD-UK-004
Fire System Connection	100-SDD-UK-005
Optical Rain Sensor Connection (without Rain Sensor Override)	100-SDD-UK-007
Optical Rain Sensor with Rain Sensor Override Connection	100-SDD-UK-009
Thermostat Connection	100-SDD-UK-010
Keypad Connection (Alpro E0678)	100-SDD-UK-011
Keypad Connection (Strikemaster E0102)	100-SDD-UK-012

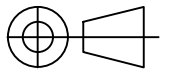
**Cables exit from the underside of the product. See the upstand drawing for the exact exit position.

IT IS GLAZING VISION'S POLICY TO CONTINUOUSLY DEVELOP AND IMPROVE OUR PRODUCTS. WE THEREFORE RESERVE THE RIGHT TO MODIFY OR CHANGE THE DETAIL DESIGN AT OUR DISCRETION AND WITHOUT PRIOR NOTICE.

THIS DRAWING IS COPYRIGHT AND THE SOLE PROPERTY OF GLAZING VISION LTD. THE DESIGNS / INFORMATION IT CONTAINS ARE PRIVATE AND CONFIDENTIAL. IT MUST NOT BE COPIED, EXHIBITED OR COMMUNICATED TO THIRD PARTIES FOR ANY PURPOSE OTHER THAN THAT FOR WHICH IT WAS ISSUED WITHOUT THE WRITTEN PERMISSION OF GLAZING VISION LTD.

ALL DIMENSIONS IN mm UNLESS OTHERWISE STATED

UPSTAND TO BE CONSTRUCTED TO WITHIN ± 10 mm ON STRAIGHT & ± 12 mm ON DIAGONAL DESIGNED SIZES. WEATHERING BY OTHERS.



Third angle projection unless otherwise stated

THIS IS A STANDARD DRAWING, THE UNIT PURCHASED MAY VARY. THIS DRAWING DOES NOT INDICATE ACCURATE DIMENSIONS FOR ANY EXISTING STRUCTURAL COMPONENTS OR PRODUCTS.

DO NOT USE THIS DRAWING FOR ANY SITE LAYOUTS. ON-SITE PERSONNEL ARE RESPONSIBLE TO CONFIRM DRAWINGS VS SPECIFIC SITE CONDITIONS.

ESTIMATED WEIGHT	N/A	SCALE	Not to scale
------------------	-----	-------	--------------

REVISION	DESCRIPTION	NAME/DATE
-	Initial Release	SS 08/Feb/2024

PROJECT	
TITLE / DESCRIPTION	CHECKED
Universal Controller MA0106 Wiring Diagrams	JSL
Mains Connection and Control Switch Connection with External PSU (Skydoor2 only)	JSL

DRAWING NO.	100-SDD-UK-015	SHEET	1 OF 1
-------------	----------------	-------	--------