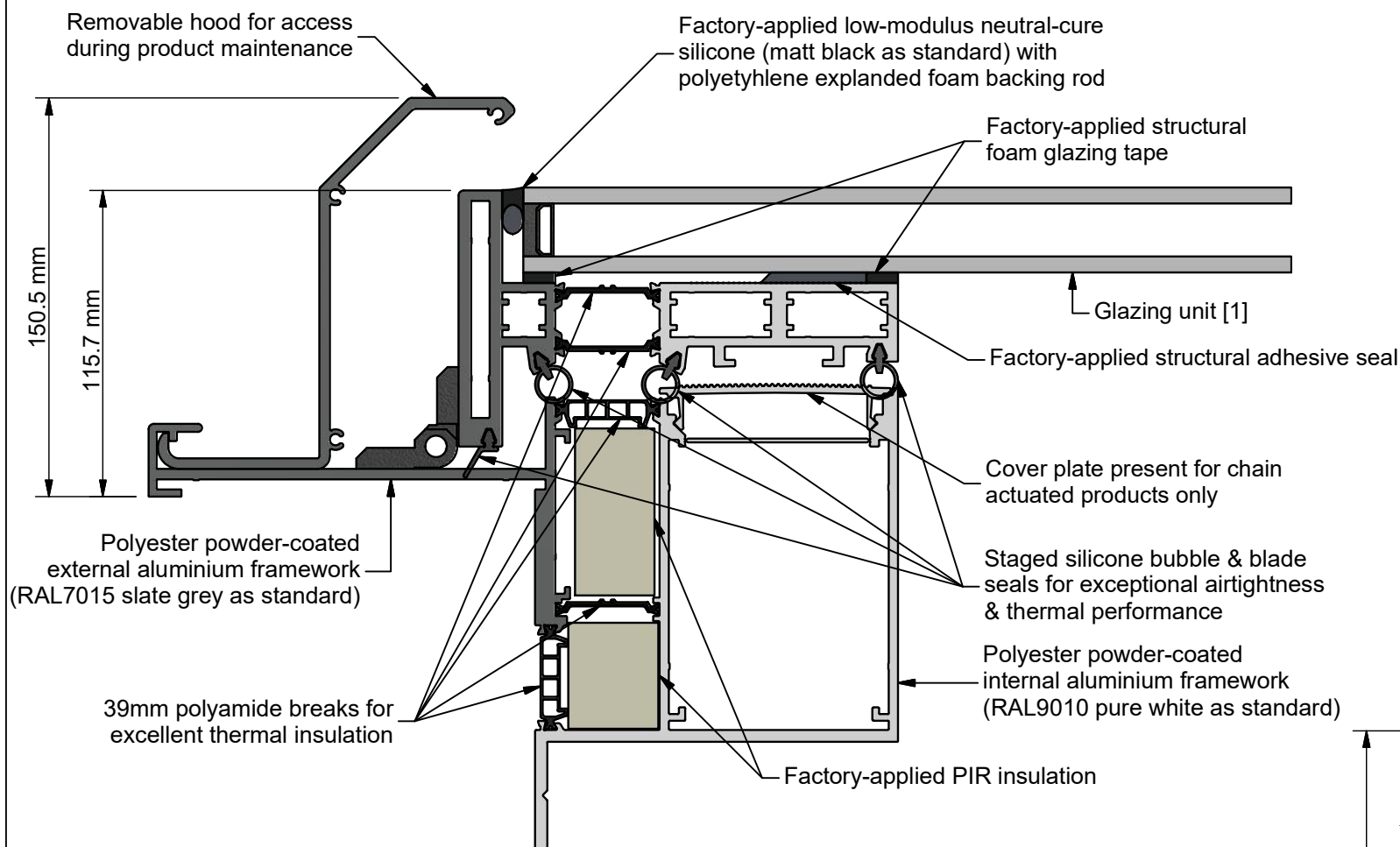


### GV Standard PitchVent Small Frame

Used for glass between 26mm & 34.8mm thickness  
(typically used for double glazed units)



[1] Example glazing unit: Toughened double glazed unit  
 - 6mm HST toughened outer pane  
 - 20mm argon-filled cavity, black warm edge spacer  
 - 6mm HST toughened soft coat low-E inner pane

[2] Example glazing unit: Toughened triple glazed unit  
 - 6mm HST toughened outer pane  
 - 16mm argon-filled cavity, black warm edge spacer  
 - 6mm HST toughened soft coat low-E mid pane  
 - 16mm argon-filled cavity, black warm edge spacer  
 - 6mm HST toughened soft coat low-E inner pane

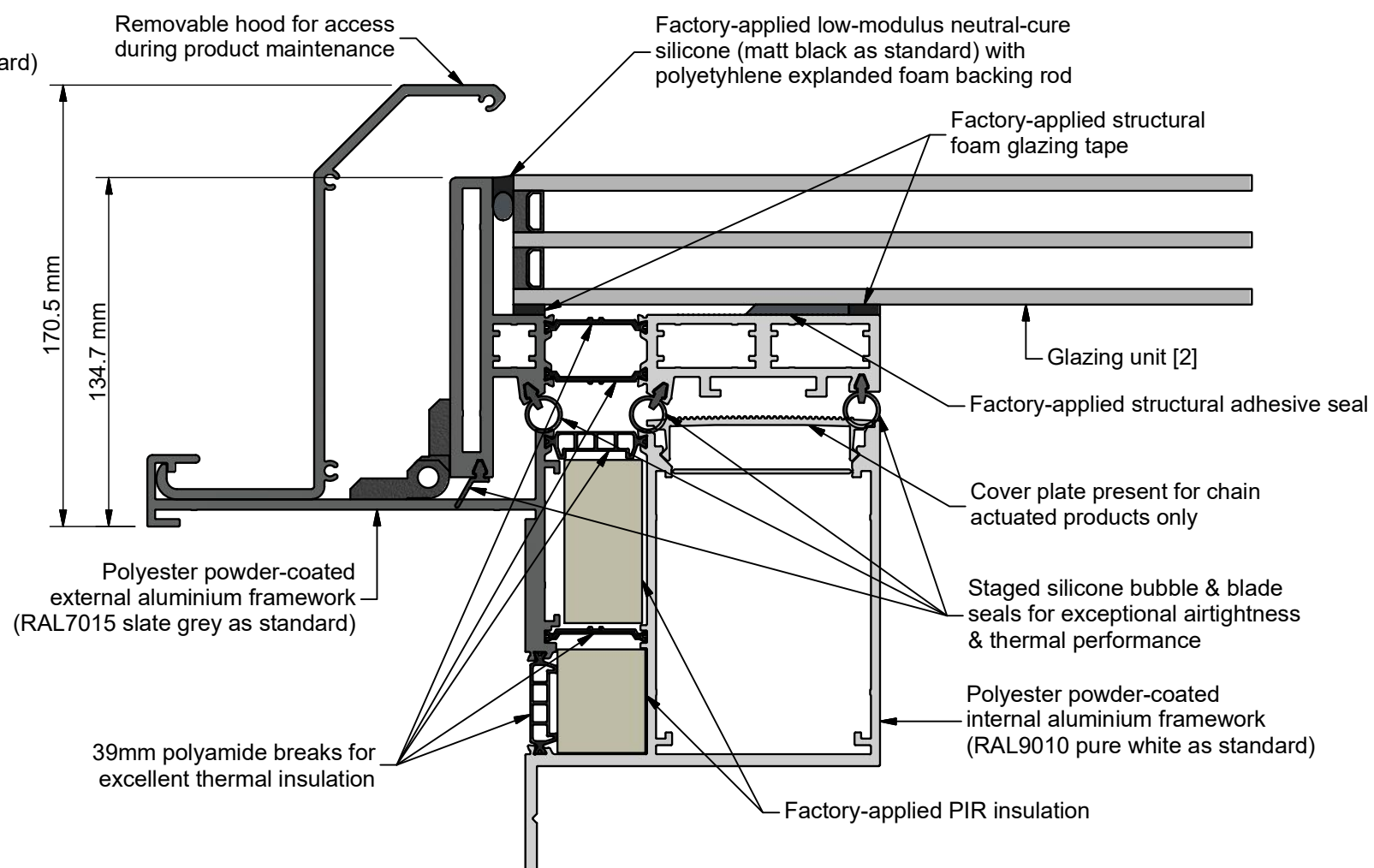
### For Both Frames

For general dimensions, see GV drawing  
202-ASS-001

For installation information, see GV drawings  
202-ASS-002  
202-ASS-003  
202-ASS-004

### GV Standard PitchVent Large Frame

Used for glass between 44mm & 52.8mm thickness  
(typically used for triple glazed units)



Saw Mills Road  
Diss  
Norfolk  
IP22 4RG  
Tel: +44 (0)333 8000 881  
Fax: +44 (0)333 8000 882  
Email: sales@glazingvision.co.uk  
Website: www.glazingvision.co.uk

IT IS GLAZING VISION'S POLICY TO CONTINUOUSLY DEVELOP AND IMPROVE OUR PRODUCTS. WE THEREFORE RESERVE THE RIGHT TO MODIFY OR CHANGE THE DETAIL DESIGN AT OUR DISCRETION AND WITHOUT PRIOR NOTICE. THIS DRAWING IS COPYRIGHT AND THE SOLE PROPERTY OF GLAZING VISION LTD. THE DESIGNS/INFORMATION IT CONTAINS ARE PRIVATE AND CONFIDENTIAL. IT MUST NOT BE COPIED, EXHIBITED OR COMMUNICATED TO THIRD PARTIES FOR ANY PURPOSE OTHER THAN THAT FOR WHICH IT WAS ISSUED WITHOUT THE WRITTEN PERMISSION OF GLAZING VISION LTD.

Third angle projection unless otherwise noted.  
Tolerances:  
Whole numbers = ±1mm  
One decimal place = ±0.5mm  
Two decimal places = ±0.2mm  
All angles 90±0.5 degrees unless specified  
**IF IN DOUBT - ASK! DO NOT SCALE**  
Supplier to deburr & remove sharp corners

Rev	Revision Description	Drawn/Date
-	Initial Release	HL 02.02.18

Product: 202 - PitchVent		Checked By: JSL
Description: PitchVent Section Views		
Materials: N/A	Drawn By: HL	Check Date: 02.02.18
Finish: N/A	Drawn Date: 02.02.18	
Weight: N/A	Quantity: N/A	Drawing No: 202-ASS-005
Scale: N/A		