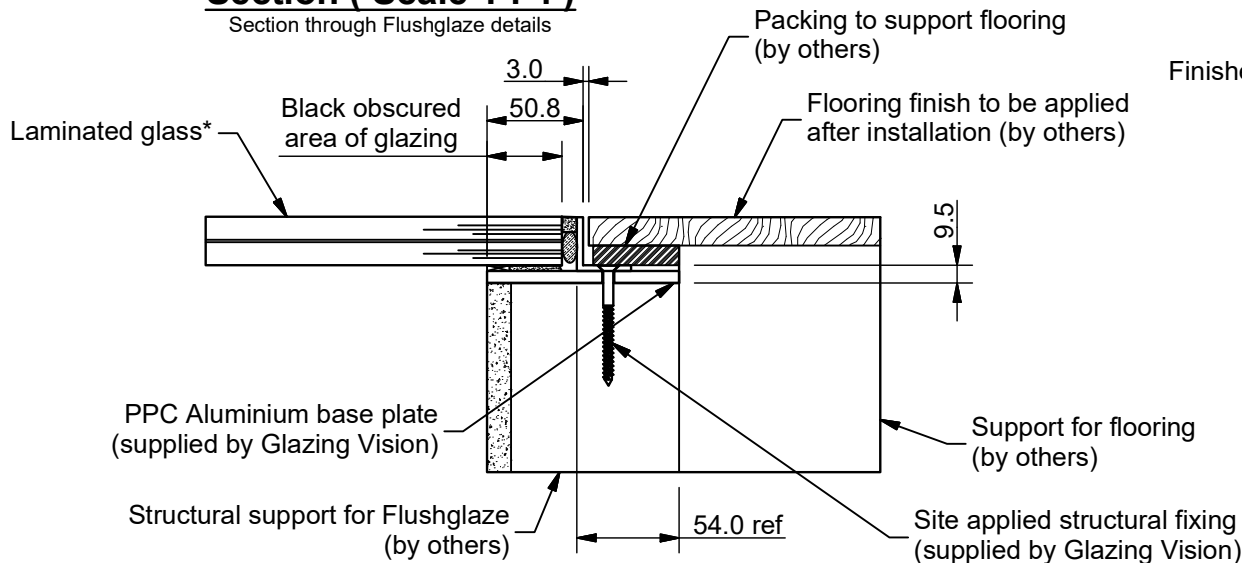


Section (Scale 1 : 4)

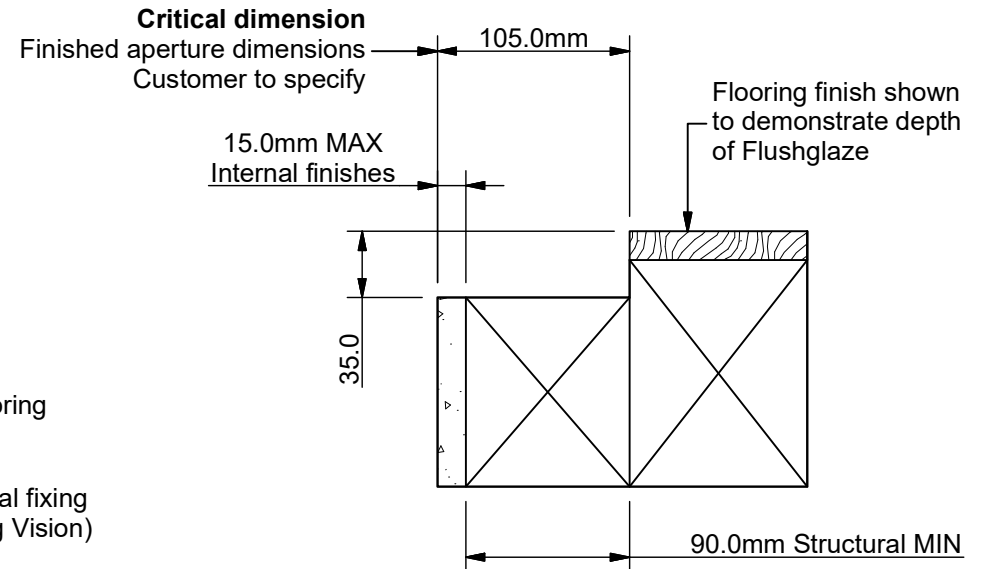
Section through Flushglaze details



*Glass specification
25.5mm Clear toughened laminate heat soak tested

Section (Scale 1 : 4)

Kerb dimensions to be constructed by others



GLAZING VISION

Saw Mills Road
Diss
Norfolk
IP22 4RG
Tel: +44 (0)333 8000 881
Fax: +44 (0)333 8000 882
Email: sales@glazing-vision.co.uk
Website: www.glazing-vision.co.uk

IT IS GLAZING VISION'S POLICY TO CONTINUOUSLY DEVELOP AND IMPROVE OUR PRODUCTS. AND THEREFORE RESERVE THE RIGHT TO MODIFY OR CHANGE THE DETAIL DESIGN AT OUR DISCRETION AND WITHOUT PRIOR NOTICE. THIS DRAWING IS COPYRIGHT AND THE SOLE PROPERTY OF GLAZING VISION LTD. THE DESIGNS/INFORMATION IT CONTAINS ARE PRIVATE AND CONFIDENTIAL. IT MUST NOT BE COPIED, EXHIBITED OR COMMUNICATED TO THIRD PARTIES FOR ANY PURPOSE OTHER THAN THAT FOR WHICH IT WAS ISSUED WITHOUT THEIR WRITTEN PERMISSION.

Third angle projection unless otherwise noted.
Tolerances:
Whole numbers = ±1mm
One decimal place = ±0.5mm
Two decimal places = ±0.2mm
Angular = ±0.5 degree
IF IN DOUBT - ASK! DO NOT SCALE
Supplier to deburr & remove sharp corners

Rev	Revision Description	Drawn/Date	Product: 402 - GV Standard Flushglaze	Checked By: HL
D	Kerb section view clarified	JSL 28.03.18	Description: Internal walk-on Flushglaze	
C	Amended to new standard glass specification for Eurocode compliance (NA BS EN 1991-1-1 2002)	PGW 09.08.13	Materials: N/A	Check Date: 28.03.18
			Finish: N/A	
			Weight: N/A	Drawn By: JamesB
			Quantity: N/A	Drawn Date: 19.04.12
			Scale: N/A	Drawing No: 402-ASS-050