

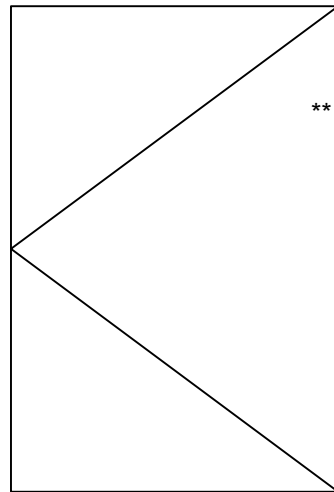
This is a fixed installation all connections should be carried out by a competent person.

The control switch must be installed for maintenance reasons.

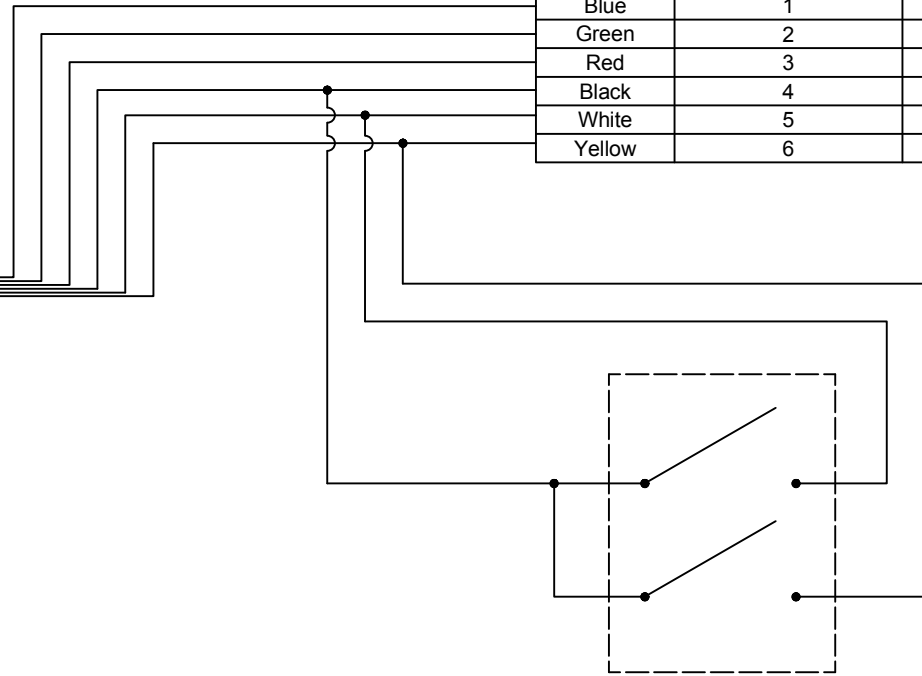
All cables supplied at 2m, extendable to 10m with appropriate cable.

2 Core 0.75mm² - Power cable
Connection as per 401-ASS-403
M0750

6 Core 0.22mm² - Control cable
M0749



GV Control switch connections		
Core	Terminal	Operation
Blue	1	Signal
Green	2	Signal
Red	3	Signal
Black	4	Common
White	5	Close
Yellow	6	Open



Pair of volt free normally open contacts
One for open
One for close

One touch / Press and hold

Caution: Using latched contacts may render the rooflight inoperable. To initiate a control cycle e.g. to open, close or stop the rooflight, switch the contact briefly (approx. 500ms) to create one touch command.

Please call Glazing Vision if you need assistance.

**Cables exit from the underside refer to kerb drawing 401-ASS-401 for detailed exit position

All optional items must be specified at time of order

<p>Saw Mills Road Diss Norfolk IP22 4RG</p> <p>Tel: +44 (0)333 8000 881 Fax: +44 (0)333 8000 882 Email: sales@glazingvision.co.uk Website: www.glazingvision.co.uk</p>	<p>IT IS GLAZING VISION'S POLICY TO CONTINUOUSLY DEVELOP AND IMPROVE OUR PRODUCTS. WE THEREFORE RESERVE THE RIGHT TO MODIFY OR CHANGE THE DETAIL DESIGN AT OUR DISCRETION AND WITHOUT PRIOR NOTICE. THIS DRAWING IS COPYRIGHT AND THE SOLE PROPERTY OF GLAZING VISION LTD. THE DESIGNS/INFORMATION IT CONTAINS ARE PRIVATE AND CONFIDENTIAL. IT MUST NOT BE COPIED, EXHIBITED OR COMMUNICATED TO THIRD PARTIES FOR ANY PURPOSE OTHER THAN THAT FOR WHICH IT WAS ISSUED WITHOUT THE WRITTEN PERMISSION OF GLAZING VISION LTD.</p>	<p>Third angle projection unless otherwise noted. Tolerances: Whole numbers = ±1mm One decimal place = ±0.5mm Two decimal places = ±0.2mm All angles 90±0.5 degrees unless specified IF IN DOUBT - ASK! DO NOT SCALE Supplier to deburr & remove sharp corners</p>	<table border="1"> <thead> <tr> <th>Rev</th> <th>Revision Description</th> <th>Drawn/Date</th> </tr> </thead> <tbody> <tr> <td>-</td> <td>Initial release</td> <td>JWL 11.07.16</td> </tr> </tbody> </table>	Rev	Revision Description	Drawn/Date	-	Initial release	JWL 11.07.16	<p>Product: 401 - GV Standard VisionVent Description: Secondary control switch or BMS wiring diagram</p>		<p>Checked By: MM</p>
			Rev	Revision Description	Drawn/Date							
			-	Initial release	JWL 11.07.16							
			<p>Materials: N/A</p>		<p>Check Date: 11.07.16</p>							
			<p>Finish: N/A</p>		<p>Drawn By: JWL Drawn Date: 07.07.16</p>							
<p>Weight: N/A</p>		<p>Drawing No: 401-ASS-420</p>										
<p>Scale: N/A</p>												