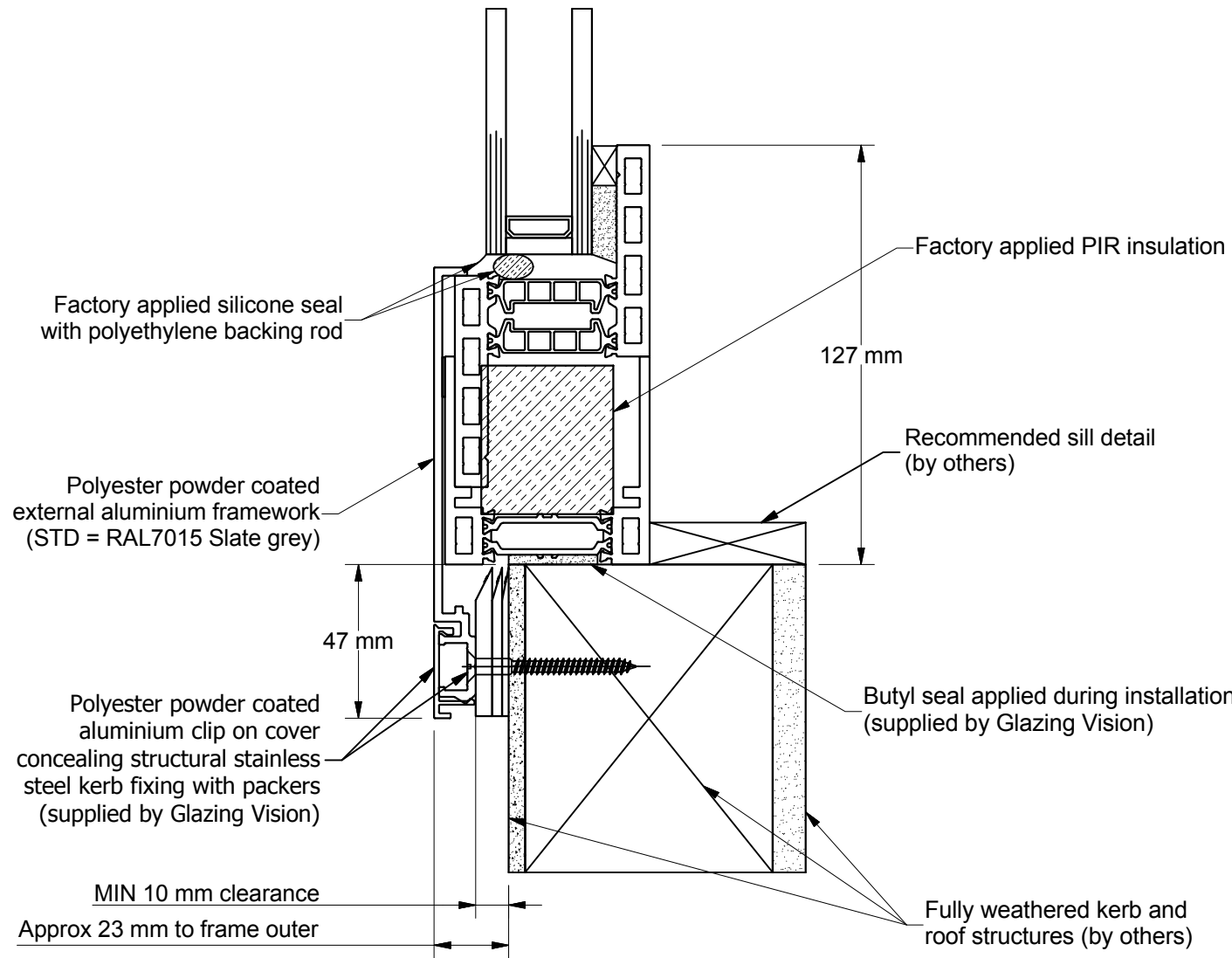
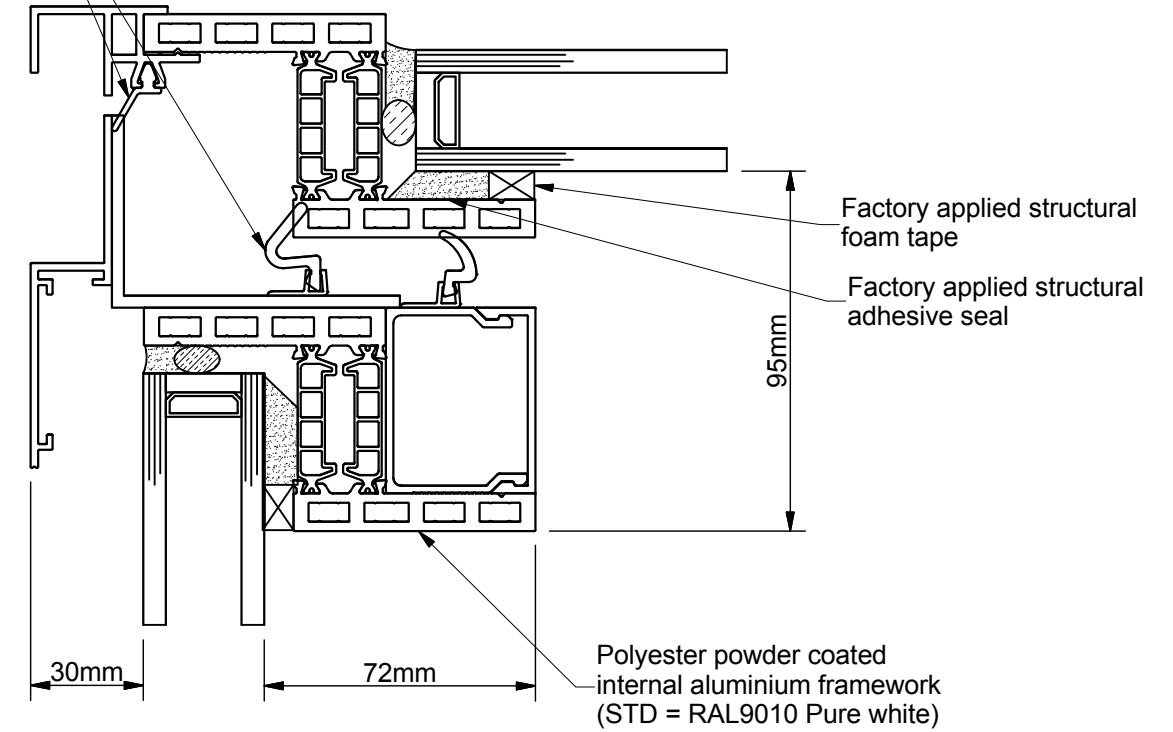


**Detail A**

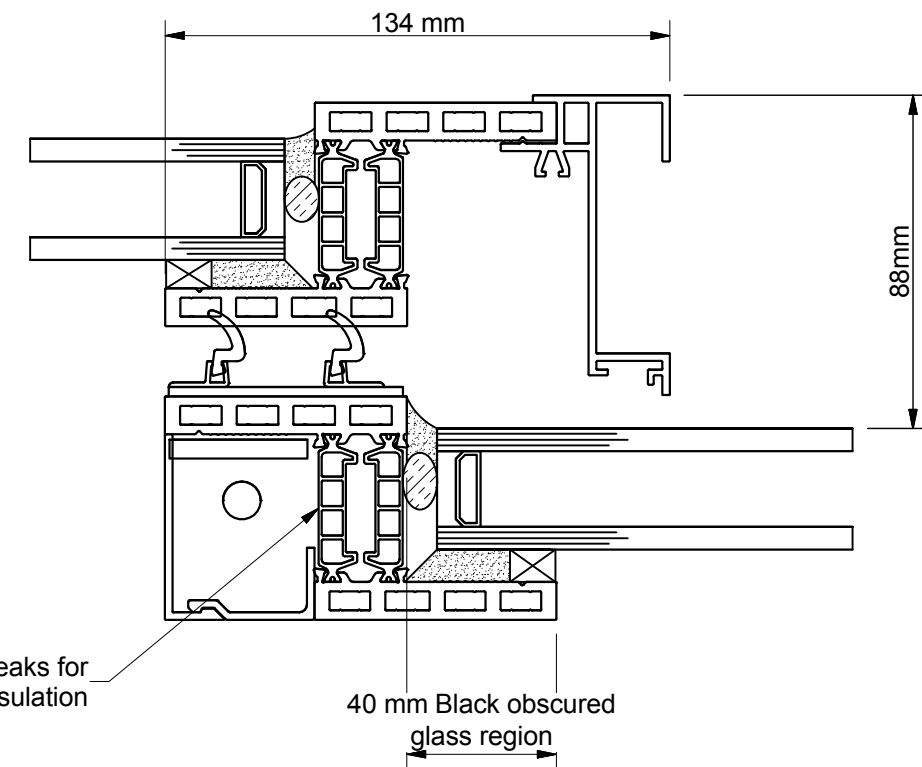


Two staged seals for exceptional air tightness and thermal performance

**Detail B**



**Detail C**



\*Standard double glazed unit comprises:  
 6mm Clear HST toughened outer  
 20mm Warm edge argon filled silicone sealed spacer  
 6mm Clear HST toughened soft coat low E inner  
 Triple glazed option available on some sizes

Standard colour:  
 RAL7015 Slate grey outer  
 RAL9010 Pure white inner

<p>Saw Mills Road Diss Norfolk IP22 4RG</p> <p>Tel: +44 (0)333 8000 881 Fax: +44 (0)333 8000 882 Email: sales@glazingvision.co.uk Website: www.glazingvision.co.uk</p>	IT IS GLAZING VISION'S POLICY TO CONTINUOUSLY DEVELOP AND IMPROVE OUR PRODUCTS. WE THEREFORE RESERVE THE RIGHT TO MODIFY OR CHANGE THE DETAIL DESIGN AT OUR DISCRETION AND WITHOUT PRIOR NOTICE. THIS DRAWING IS COPYRIGHT AND THE SOLE PROPERTY OF GLAZING VISION LTD. THE DESIGNS/INFORMATION IT CONTAINS ARE PRIVATE AND CONFIDENTIAL. IT MUST NOT BE COPIED, EXHIBITED OR COMMUNICATED TO THIRD PARTIES FOR ANY PURPOSE OTHER THAN THAT FOR WHICH IT WAS ISSUED WITHOUT THE WRITTEN PERMISSION OF GLAZING VISION LTD.		Third angle projection unless otherwise noted. Tolerances: Whole numbers = ±1mm One decimal place = ±0.5mm Two decimal places = ±0.2mm All angles 90±0.5 degrees unless specified <b>IF IN DOUBT - ASK! DO NOT SCALE</b> Supplier to deburr & remove sharp corners	<b>Rev</b> B A	<b>Revision Description</b> General update. Back cover added. Kerb thickness increased, 'sill' added	<b>Drawn/Date</b> JWJ 25.08.17 GH 16.03.16	<b>Product:</b> 607 - GV Standard Free Standing Box <b>Description:</b> Detail A-B-C DGU (from drawing 607-ASS-008) <b>Materials:</b> N/A <b>Finish:</b> N/A <b>Weight:</b> N/A <b>Quantity:</b> N/A <b>Scale:</b> 1:2	<b>Checked By:</b> JSL <b>Check Date:</b> 25.08.17 <b>Drawing No:</b> 607-ASS-011
--	---	--	---	----------------------	--	--	--	---