

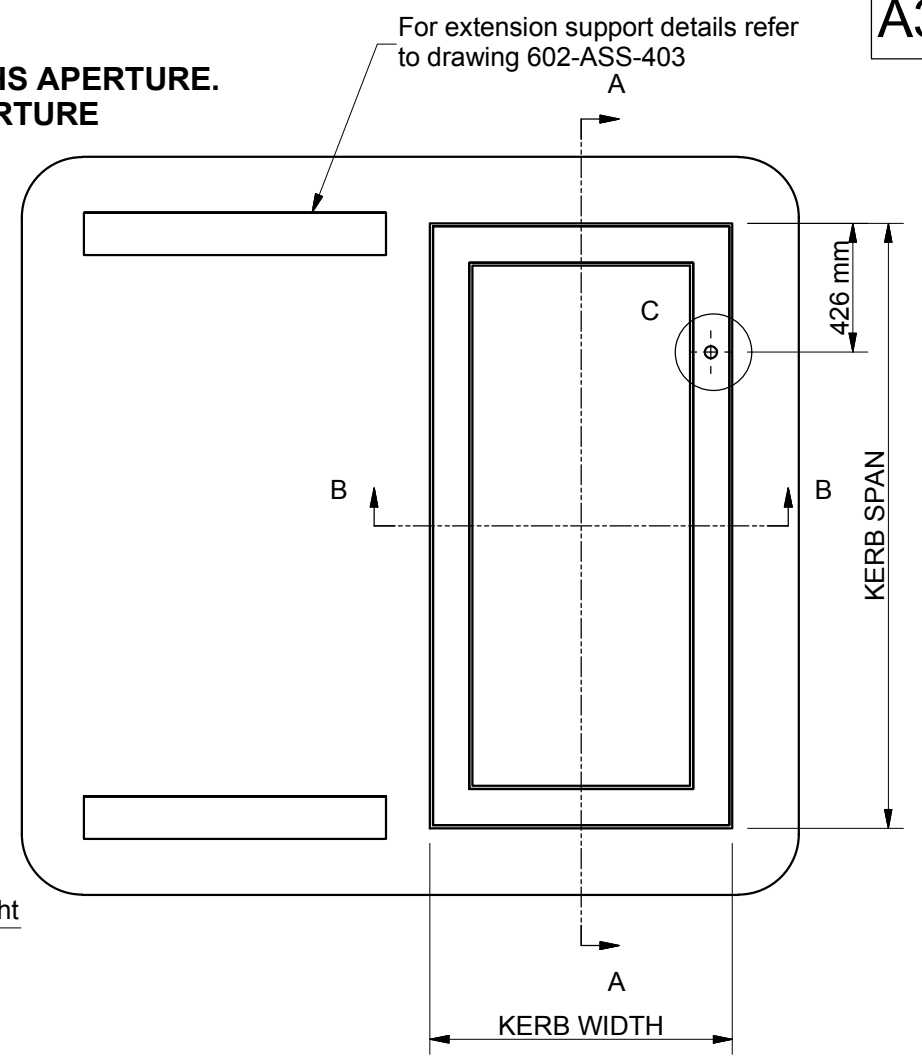
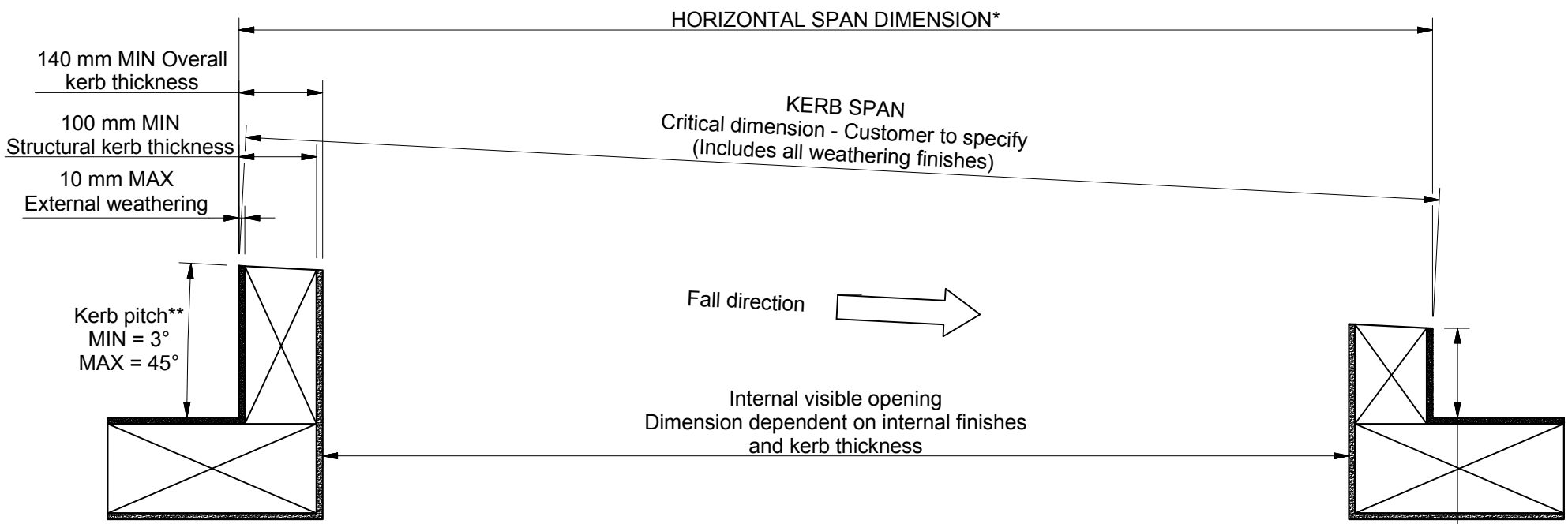
* Dimension calculated as: SPAN x COSINE(PITCH°) E.g. 2000cos(5) = 1992.4mm

** Refer to S0009 for kerb pitches exceeding 5°

Section A-A (Scale 1 : 10)

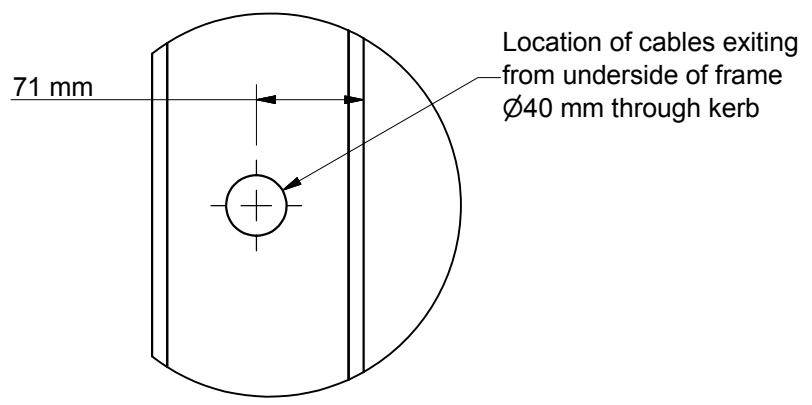
View along fall

**NOTE: KERB SHOWN IS FOR RHS APERTURE.
MIRROR FOR LHS APERTURE**



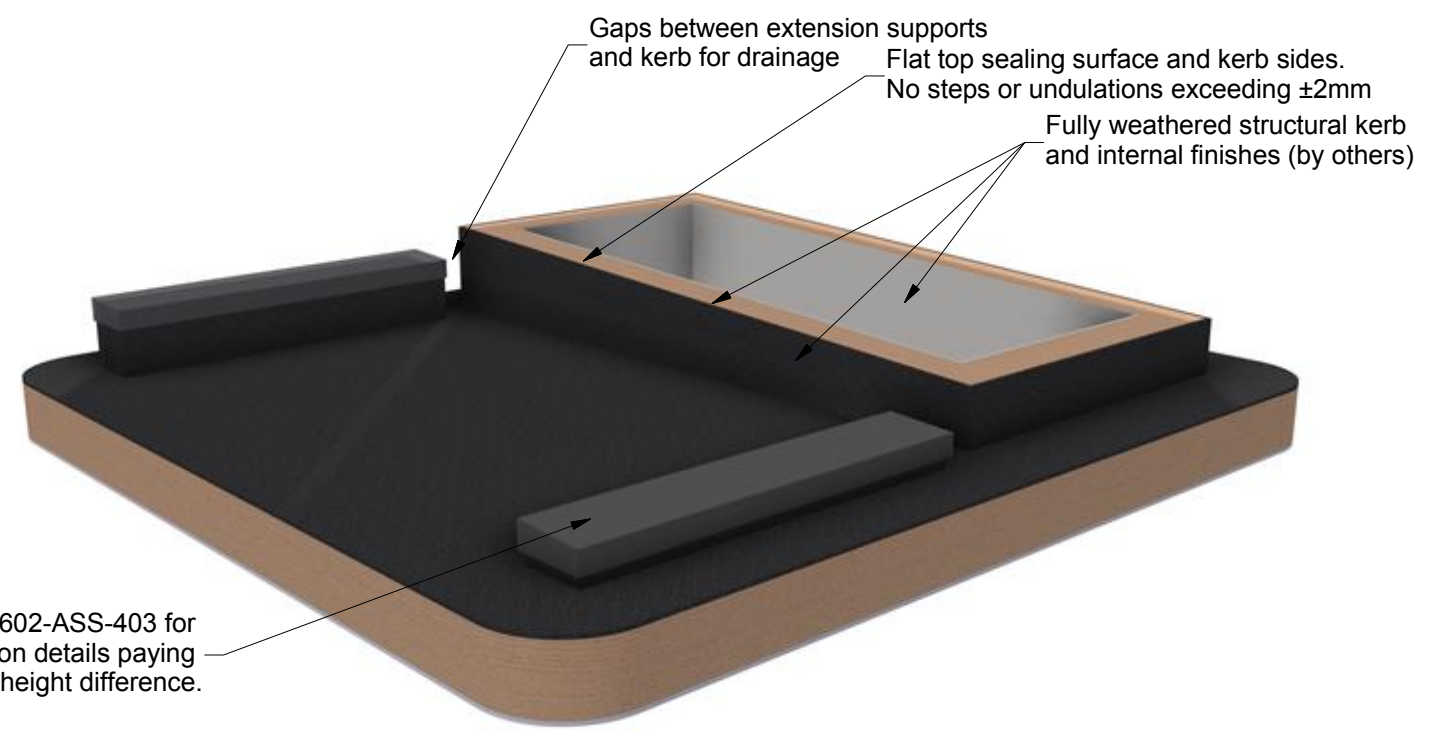
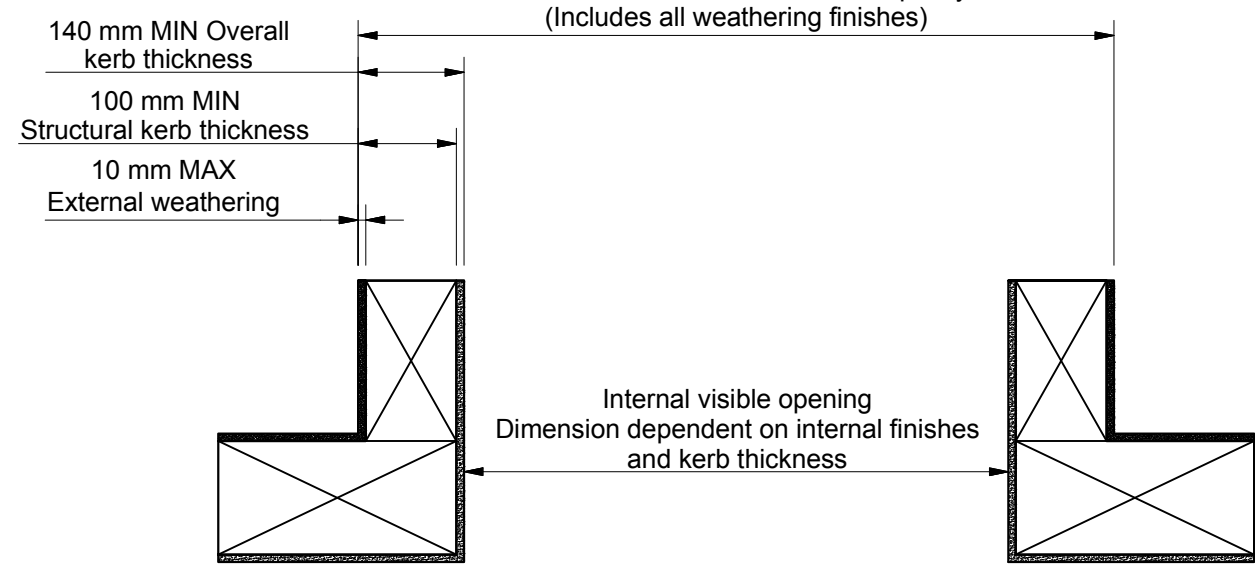
Detail C (Scale 1:5)

Cable exit



Section B-B (Scale 1 : 10)

View across fall



Rev	Revision Description	Drawn/Date
C	Kerb Note added.	SW 05.06.17
B	Cable exit hole size change. Kerb extension rails update.	JWL 29.07.15

Product: 602 - GV Standard Sliding Over Roof		Checked By: JWL
Description: Kerb Detail		Check Date: 05.06.17
Materials: N/A	Drawn By: JWL	Drawing No: 602-ASS-402
Finish: N/A	Drawn Date: 29.07.15	
Weight: N/A		
Quantity: N/A		
Scale: 1:25 1:10 1:5		