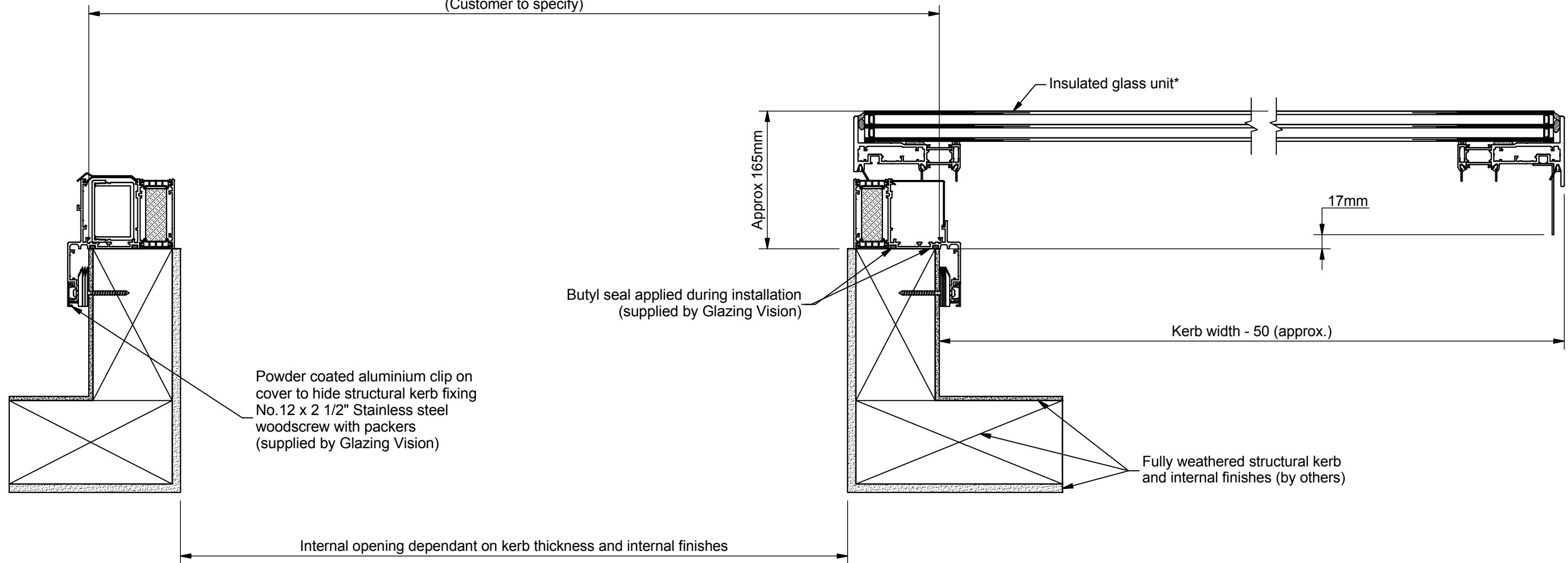


Section A-A (Scale 1:5)
(Across the fall)

Kerb Width
Critical dimension. Includes all weathering finishes
(Customer to specify)



*Standard triple glazed unit comprises:
 4mm Clear HST toughened outer
 12mm Warm edge argon filled silicone sealed spacer
 4mm Clear HST soft coat low E toughened mid pane
 12mm Warm edge argon filled silicone sealed spacer
 4mm Clear HST soft coat low E toughened inner
 Double glazed option available

Standard colour:
 RAL7015 Slate grey outer
 RAL9010 Pure white inner

GLAZING VISION
 Saw Mills Road
 Diss Norfolk IP22 4RG
 Tel: +44 (0)333 8000 881
 Fax: +44 (0)333 8000 882
 Email: sales@glazingvision.co.uk
 Website: www.glazingvision.co.uk

IT IS GLAZING VISION'S POLICY TO CONTINUOUSLY DEVELOP AND IMPROVE OUR PRODUCTS. WE THEREFORE RESERVE THE RIGHT TO MODIFY OR CHANGE THE DETAIL DESIGN AT OUR DISCRETION AND WITHOUT PRIOR NOTICE. THIS DRAWING IS COPYRIGHT AND THE SOLE PROPERTY OF GLAZING VISION LTD. THE DESIGNS/INFORMATION IT CONTAINS ARE PRIVATE AND CONFIDENTIAL. IT MUST NOT BE COPIED, EXHIBITED OR COMMUNICATED TO THIRD PARTIES FOR ANY PURPOSE OTHER THAN THAT FOR WHICH IT WAS ISSUED WITHOUT THE WRITTEN PERMISSION OF GLAZING VISION LTD.

Third angle projection unless otherwise noted.
 Tolerances:
 Whole numbers = ±1mm
 One decimal place = ±0.5mm
 Two decimal places = ±0.2mm
 All angles 90±0.5 degrees unless specified
IF IN DOUBT - ASK! DO NOT SCALE
Supplier to deburr & remove sharp corners

Rev	Revision Description	Drawn/Date
-	Initial release	JamesB 10.06.14

Product: 601 - GV Standard Flat Skyglide		Checked By: JohnL
Description: Section A-A (Across the fall triple glaze) open position		
Materials: N/A	Drawn By: JamesB	Check Date: 10.06.14
Finish: N/A	Drawn Date: 10.06.14	
Weight: N/A	Quantity: N/A	
Scale: 1:5 1:25	Drawing No: 601-ASS-412	