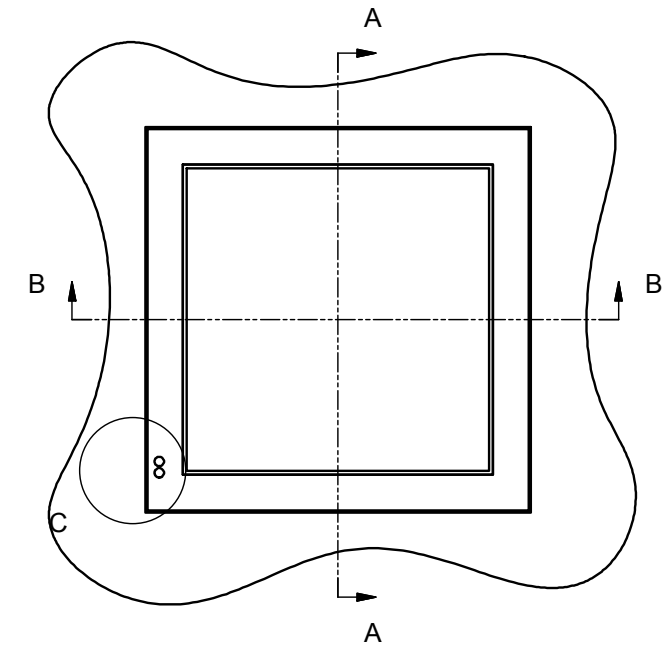
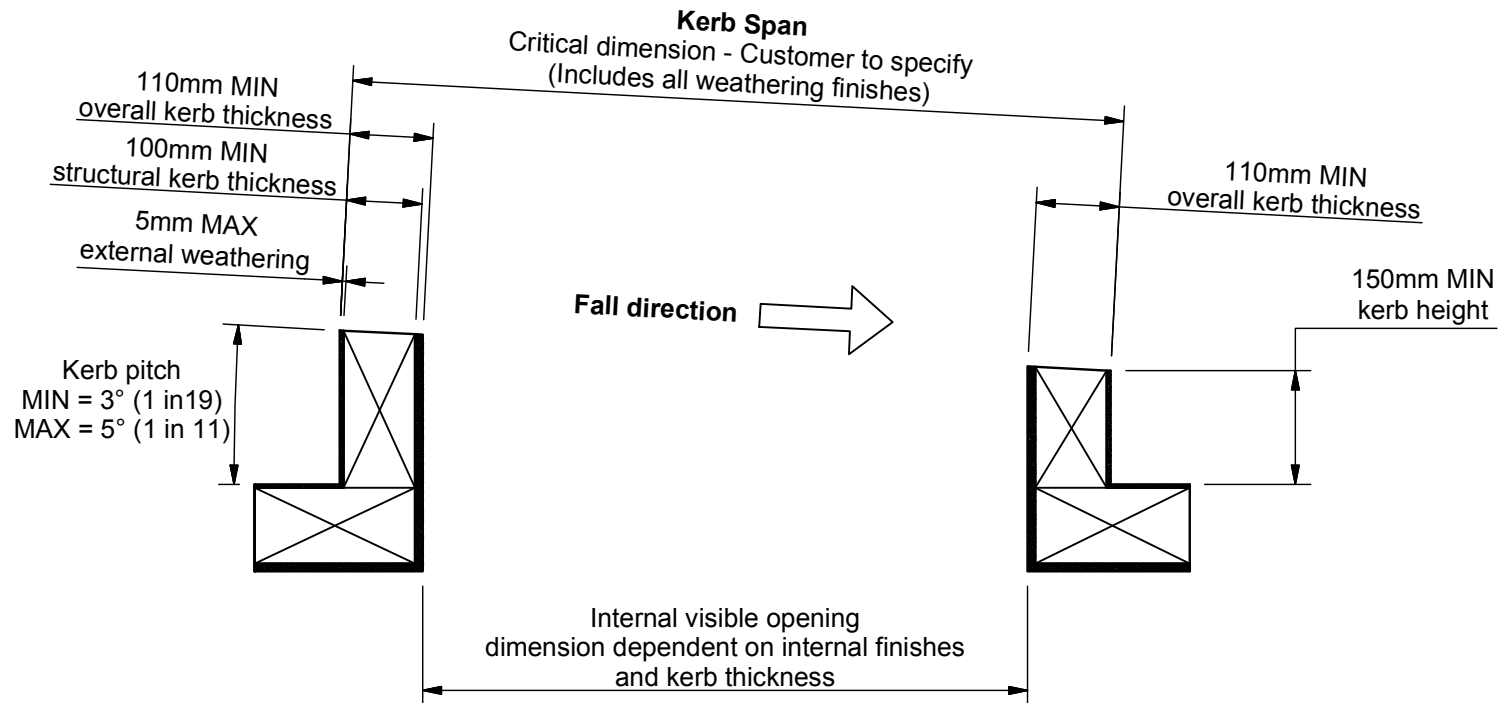
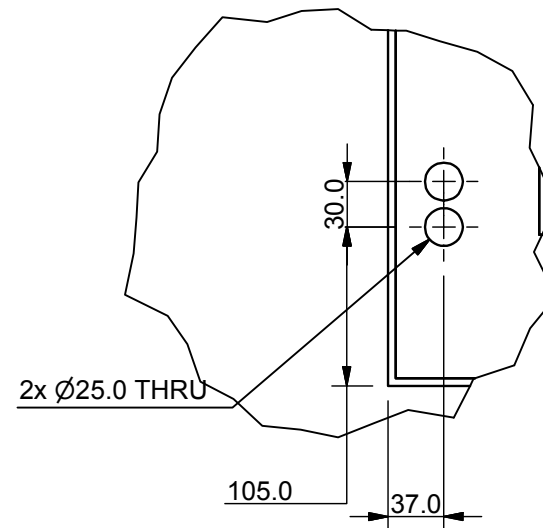


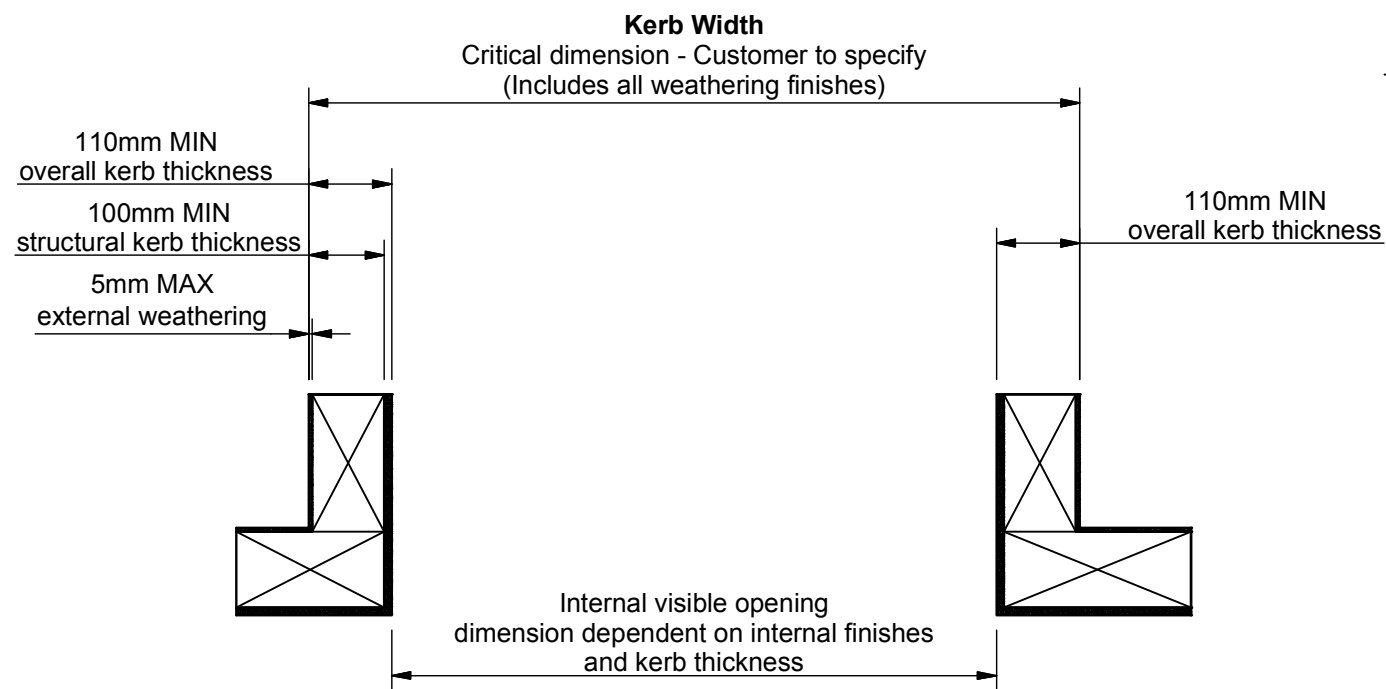
Section A-A (Scale 1:10)
View along fall



Detail C (Scale 1 : 5)
Cable entry positions

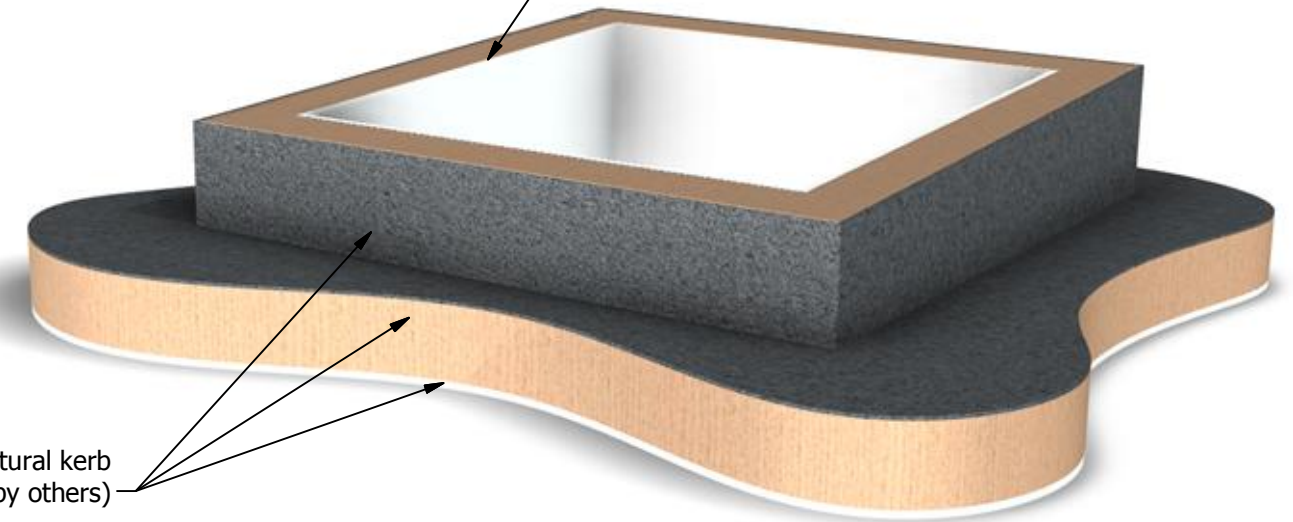


Section B-B (Scale 1:10)
View across fall



Flat top sealing surface. No steps or undulations exceeding ±2mm. Weathering should not be continued across the top of the kerb

Fully weathered structural kerb and internal finishes (by others)



Rev	Revision Description	Drawn/Date
-	Initial release	JWL 13.02.14
A	Max angle from 10deg (1in5) to 5deg (1in11)	JSL 11.08.17

Product: 601 - GV Standard Flat Skyglide		Checked By:
Description: Kerb detail		HL
Materials: N/A	Drawn By: JWL	Check Date: 11.08.17
Finish: N/A	Drawn Date: 13.02.14	
Weight: N/A	Quantity: N/A	
Scale: 1:20 1:10 1:5	Drawing No: 601-ASS-402	