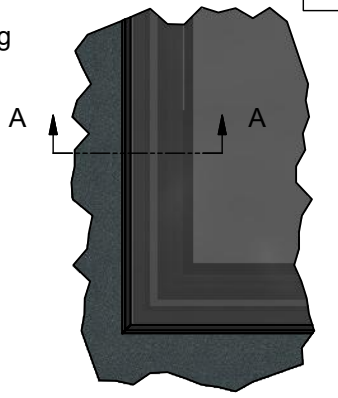
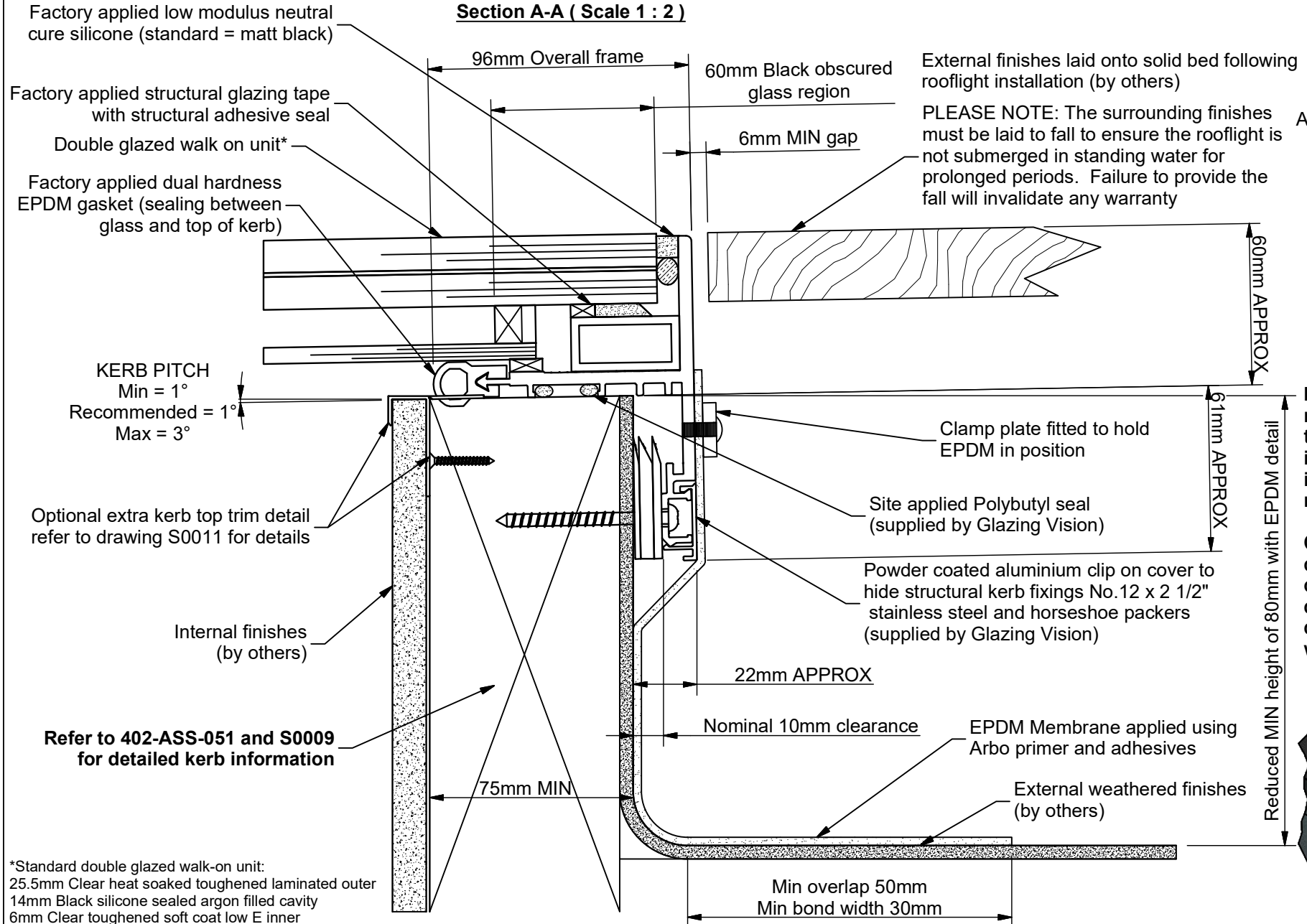
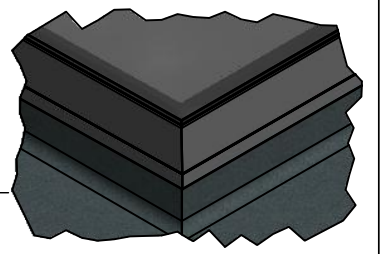


**Section A-A ( Scale 1 : 2 )**



**IMPORTANT:** It is the responsibility of the client to ensure the EPDM installation will not invalidate their roofing membrane warranty.

Glazing Vision ensure a compatible adhesive and or primer are selected but cannot ensure the compatibility with the warranty



\*Standard double glazed walk-on unit:  
25.5mm Clear heat soaked toughened laminated outer  
14mm Black silicone sealed argon filled cavity  
6mm Clear toughened soft coat low E inner

**GLAZING VISION**

Saw Mills Road  
Diss  
Norfolk  
IP22 4RG

Tel: +44 (0)333 8000 881  
Fax: +44 (0)333 8000 882  
Email: sales@glazingvision.co.uk  
Website: www.glazingvision.co.uk

IT IS GLAZING VISION'S POLICY TO CONTINUOUSLY DEVELOP AND IMPROVE OUR PRODUCTS. WE THEREFORE RESERVE THE RIGHT TO MODIFY OR CHANGE THE DETAIL DESIGN AT OUR DISCRETION AND WITHOUT PRIOR NOTICE. THIS DRAWING IS COPYRIGHT AND THE SOLE PROPERTY OF GLAZING VISION LTD. THE DESIGNS/INFORMATION IT CONTAINS ARE PRIVATE AND CONFIDENTIAL. IT MUST NOT BE COPIED, EXHIBITED OR COMMUNICATED TO THIRD PARTIES FOR ANY PURPOSE OTHER THAN THAT FOR WHICH IT WAS ISSUED WITHOUT THE WRITTEN PERMISSION OF GLAZING VISION LTD.

Third angle projection unless otherwise noted.  
Tolerances:  
Whole numbers = ±1mm  
One decimal place = ±0.5mm  
Two decimal places = ±0.2mm  
All angles 90±0.5 degrees unless specified  
**IF IN DOUBT - ASK! DO NOT SCALE**  
**Supplier to deburr & remove sharp corners**

Rev	Revision Description	Drawn/Date
I	Max pitch changed from 70deg to 3deg	JSL 04.05.18
H	Added reduced up stand height note, adjusted kerb trim width	SW 02.09.15

<b>Product:</b> 402 - GV Standard Flushglaze		<b>Checked By:</b> SW
<b>Description:</b> Walk on Flushglaze with EPDM kerb mount detail		
<b>Materials:</b> As above		<b>Check Date:</b> 04.05.18
<b>Finish:</b> Std = RAL7015 Grey matt	<b>Drawn By:</b> JamesB	
<b>Weight:</b> N/A	<b>Drawn Date:</b> 03.10.12	
<b>Quantity:</b> N/A		
<b>Scale:</b> 1:2 @ A4		<b>Drawing No:</b> 402-ASS-048