

GV STANDARD INTEGRATED SKYDOOR
ELECTRONICALLY OPERATED HINGED ROOFLIGHT
INTEGRATED WITH A FLUSHGLAZE

Unit can be opened to near 90° for access or various angles for ventilation as required

Hinge should always be at the top of the fall

Intelligent electronic control system concealed within framework

Configuration shown is for reference only many options available

Powder coated treadplate with anti-slip surface

Synchronised electro-mechanical opening mechanisms offering clear front opening

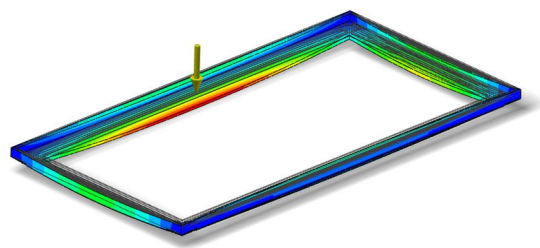
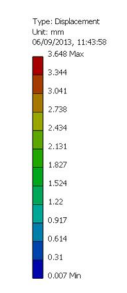
Fully weathered roof top and kerb structure (by others)

Detail A
Mechanism detail view

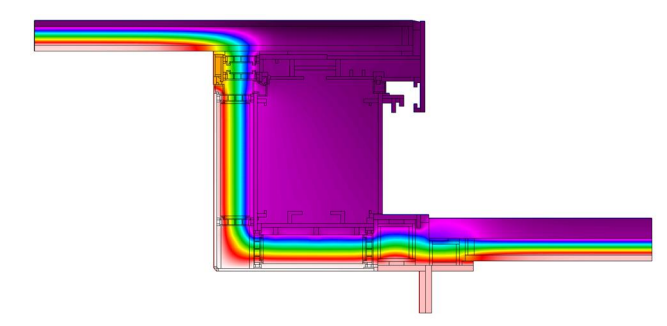
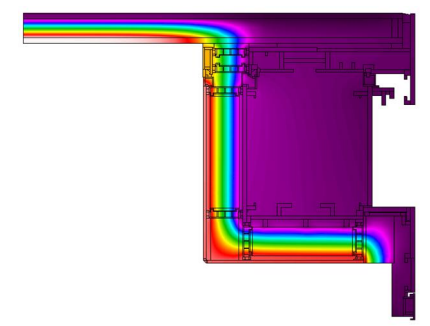
Folding arm actuators assisted by gas struts concealed within framework when closed



FEA MODELLED FOR STRUCTURAL INTEGRITY



THERMALLY MODELLED FOR INDUSTRY LEADING EFFICIENCY



REQUIRES WEATHERED KERB (NOT SUPPLIED)
REFER TO DRAWINGS:
406-ASS-407
406-ASS-408
406-ASS-410
406-ASS-411
406-ASS-412
406-ASS-416
406-ASS-417
FOR DETAILS

Rev	Revision Description	Drawn/Date
-	Initial release	JWL 17.03.14

Product: 406 GV Standard Integrated Skydoor	Checked By: PGW
Description: Product overview	Check Date: 17.03.14
Materials: N/A	Drawn By: JWL
Finish: N/A	Drawn Date: 17.03.14
Weight: N/A	Quantity: N/A
Quantity: N/A	Scale: NTS
Drawing No: 406-ASS-409	