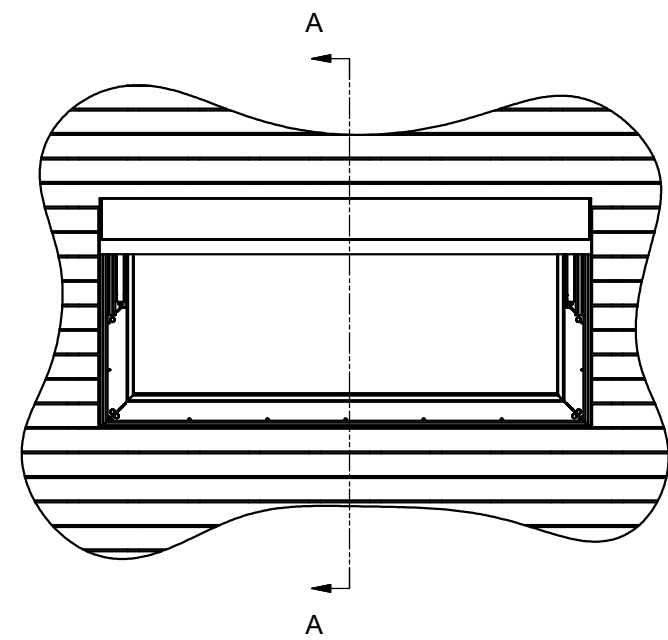


Balustrading or handrails can be secured to deck structure around rooflight to assist with access (by others)

Timber deck structure; open jointed and free draining to roof structure below. Shown as example other finishes possible (by others)

Fully weathered roof structure (by others)

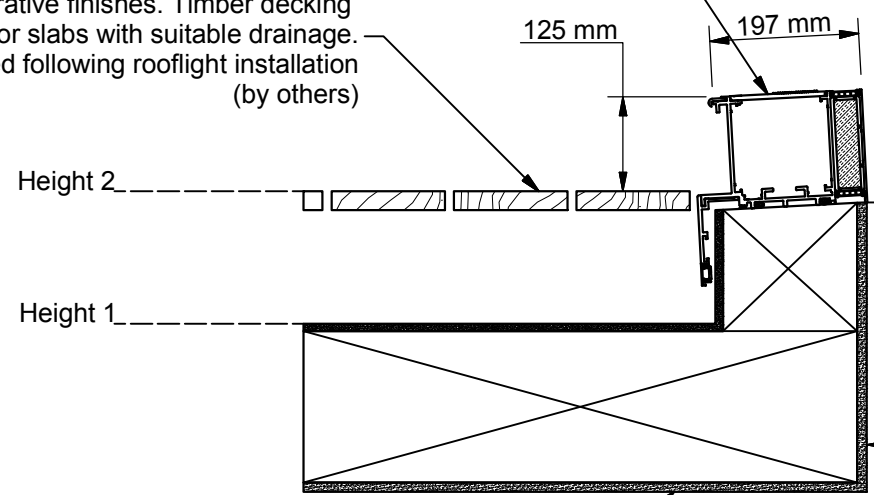
Stairs to roof with top landing (by others)



Section A-A (Scale 1:10)
Along fall

Polyester powder coated aluminium tread plate with anti slip surface detail. Incorporating light beam proximity detection

Height 2 raised level to facilitate access and decorative finishes. Timber decking or slabs with suitable drainage. To be applied following rooflight installation (by others)



Internal framework finished in RAL9010 White as standard other colours available as an optional extra

Various glazing specifications available on request. Including opaque finishes, easy clean and solar control specifications as optional extras

Exterior framework finished in RAL7015 Slate grey as standard other colours available as an optional extra

100 mm MIN clearance needed at hinging end

Max landing/top stair height to allow maintenance access

Internal opening Dependent on internal finishes and kerb thickness

Ceiling structure and finishes (by others)

175 mm

Rev	Revision Description	Drawn/Date
-	Initial release	JWL 12.02.14
A	Clearance dimension added to hinging end	JWL 16.06.15

Product: 406 GV Standard Skydoor		Checked By: GH
Description: Example finishing details		
Materials: N/A	Drawn By: JWL	Check Date: 16.06.15
Finish: N/A	Drawn Date: 12.02.14	
Weight: N/A	Quantity: N/A	
Scale: 1:50 1:10	Drawing No: 406-ASS-406	