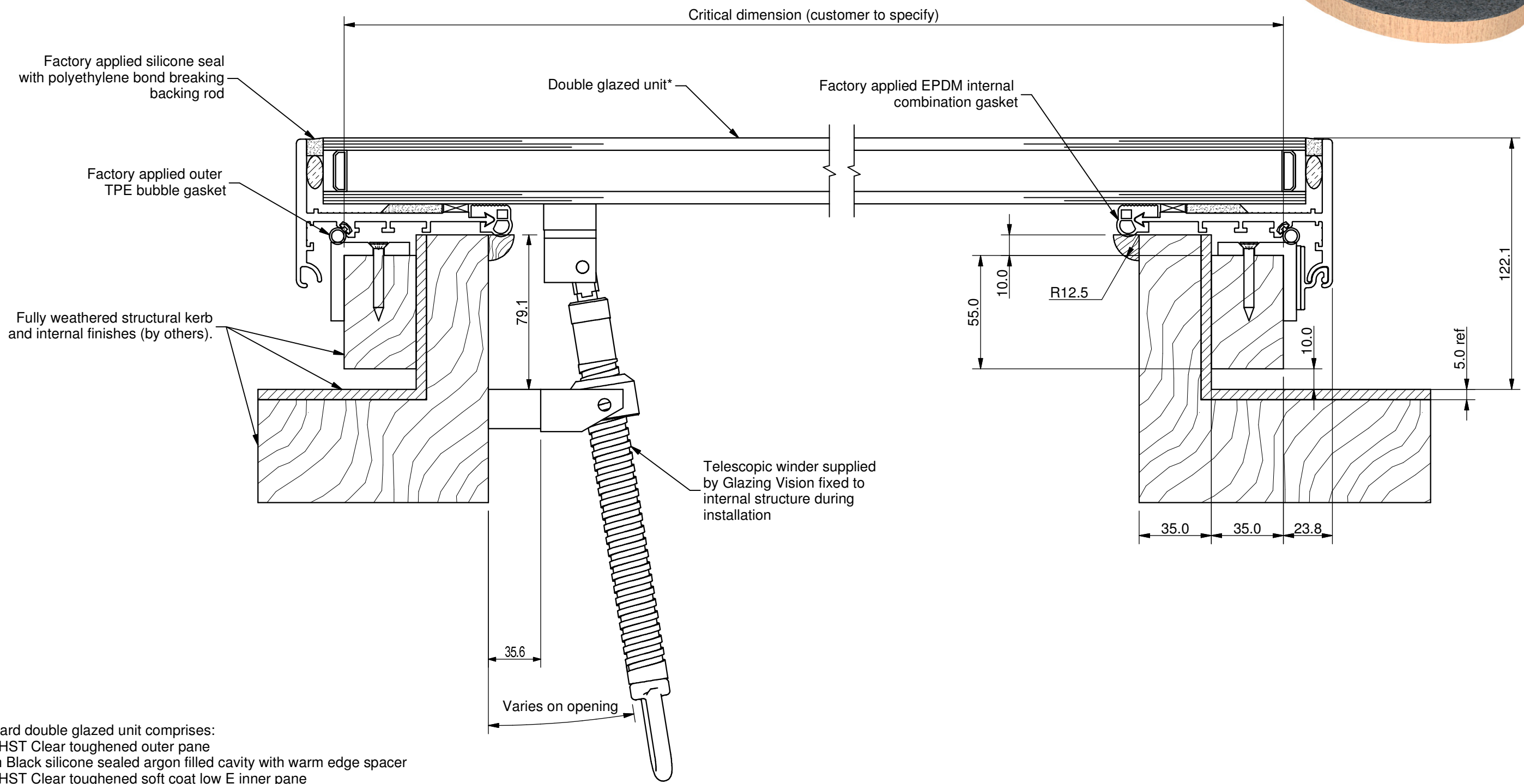


Section A-A (Scale 1 : 2)
Vent closed position



Standard double glazed unit comprises:
 6mm HST Clear toughened outer pane
 20mm Black silicone sealed argon filled cavity with warm edge spacer
 6mm HST Clear toughened soft coat low E inner pane

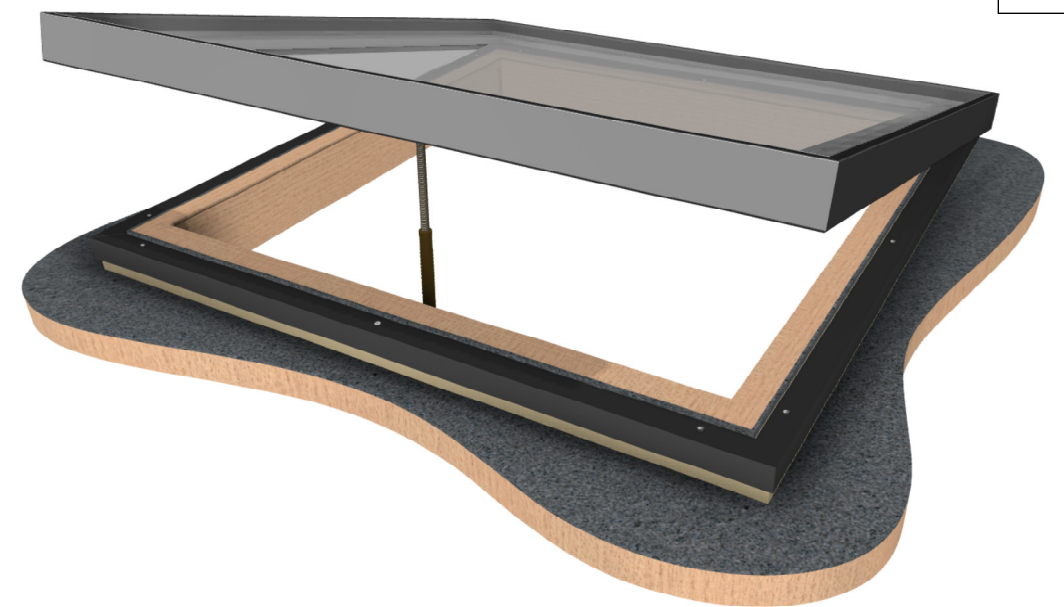
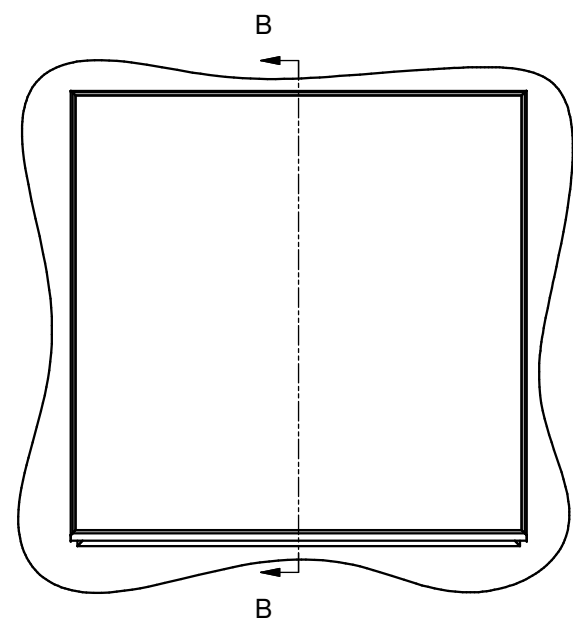
GLAZING VISION
 Saw Mills Road
 Diss Norfolk IP22 4RG
 Tel: +44 (0)333 8000 881
 Fax: +44 (0)333 8000 882
 Email: sales@glazing-vision.co.uk
 Website: www.glazing-vision.co.uk

IT IS GLAZING VISION'S POLICY TO CONTINUOUSLY DEVELOP AND IMPROVE OUR PRODUCTS. WE THEREFORE RESERVE THE RIGHT TO MODIFY OR CHANGE THE DETAIL DESIGN AT OUR DISCRETION AND WITHOUT PRIOR NOTICE. THIS DRAWING IS COPYRIGHT AND THE SOLE PROPERTY OF GLAZING VISION LTD. THE DESIGNS/INFORMATION IT CONTAINS ARE PRIVATE AND CONFIDENTIAL. IT MUST NOT BE COPIED, EXHIBITED OR COMMUNICATED TO THIRD PARTIES FOR ANY PURPOSE OTHER THAN THAT FOR WHICH IT WAS ISSUED WITHOUT THE WRITTEN PERMISSION OF GLAZING VISION LTD.

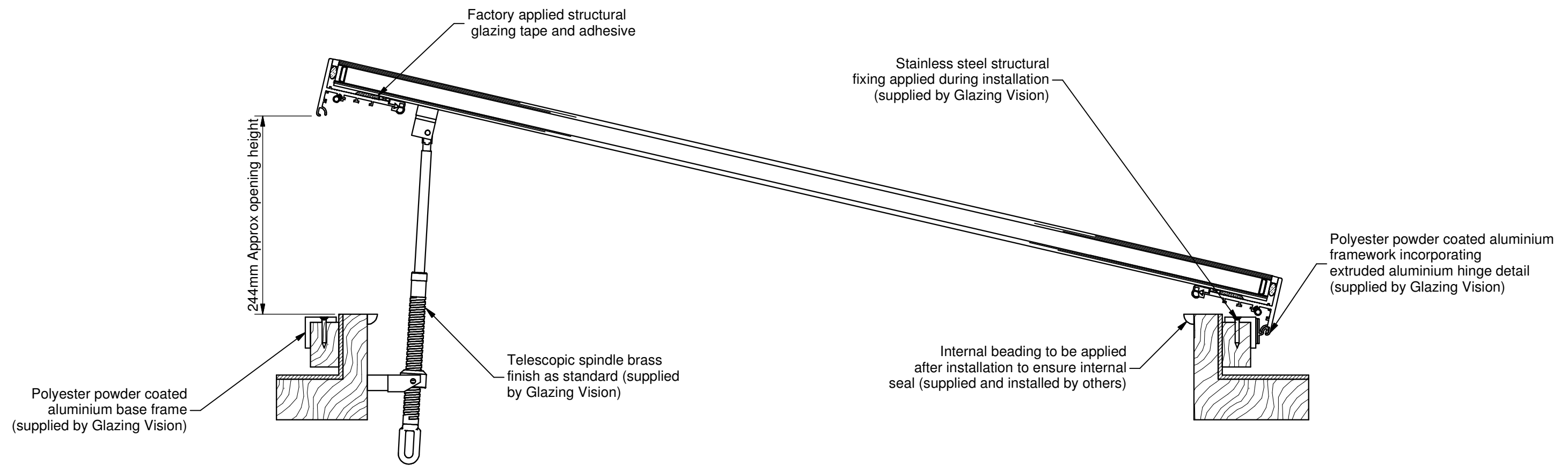
Third angle projection unless otherwise noted.
 Tolerances:
 Whole numbers = ±1mm
 One decimal place = ±0.5mm
 Two decimal places = ±0.2mm
 All angles 90±0.5 degrees unless specified
IF IN DOUBT - ASK! DO NOT SCALE
Supplier to deburr & remove sharp corners

Rev	Revision Description	Drawn/Date
-	Initial release	JamesB 28.01.14

Product: 401 - GV Standard VisionVent		Checked By: PeterW
Description: Manual vent only barge configuration		
Materials: N/A	Drawn By: JamesB	Check Date: 28.01.14
Finish: PPC	Drawn Date: 14.08.13	
Weight: N/A	Quantity: N/A	
Scale: N/A	Drawing No: 401-ASS-412 (1 of 2)	



Section B-B (Scale 1 : 5)
Vent open position



GLAZING VISION
Saw Mills Road
Diss
Norfolk
IP22 4RG
Tel: +44 (0)333 8000 881
Fax: +44 (0)333 8000 882
Email: sales@glazing-vision.co.uk
Website: www.glazing-vision.co.uk

IT IS GLAZING VISION'S POLICY TO CONTINUOUSLY DEVELOP AND IMPROVE OUR PRODUCTS. WE THEREFORE RESERVE THE RIGHT TO MODIFY OR CHANGE THE DETAIL DESIGN AT OUR DISCRETION AND WITHOUT PRIOR NOTICE. THIS DRAWING IS COPYRIGHT AND THE SOLE PROPERTY OF GLAZING VISION LTD. THE DESIGNS/INFORMATION IT CONTAINS ARE PRIVATE AND CONFIDENTIAL. IT MUST NOT BE COPIED, EXHIBITED OR COMMUNICATED TO THIRD PARTIES FOR ANY PURPOSE OTHER THAN THAT FOR WHICH IT WAS ISSUED WITHOUT THE WRITTEN PERMISSION OF GLAZING VISION LTD.

Third angle projection unless otherwise noted.
Tolerances:
Whole numbers = ±1mm
One decimal place = ±0.5mm
Two decimal places = ±0.2mm
All angles 90±0.5 degrees unless specified
IF IN DOUBT - ASK! DO NOT SCALE
Supplier to deburr & remove sharp corners

Rev	Revision Description	Drawn/Date
-	Initial release	JamesB 28.01.14

Product: 401 - GV Standard VisionVent		Checked By: PeterW
Description: Manual vent only barge configuration		
Materials: N/A	Drawn By: JamesB	Check Date: 28.01.14
Finish: PPC	Drawn Date: 15.08.13	
Weight: N/A	Quantity: N/A	
Scale: N/A	Drawing No: 401-ASS-412 (2 of 2)	