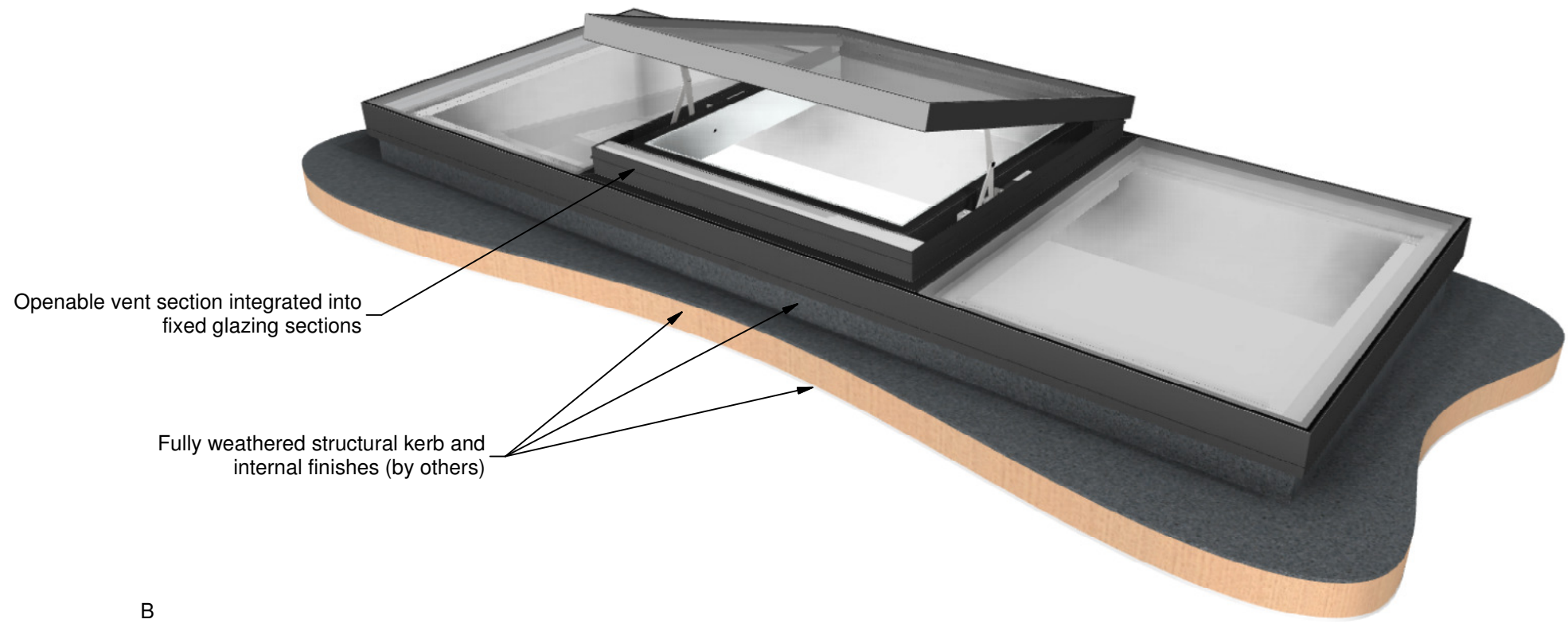


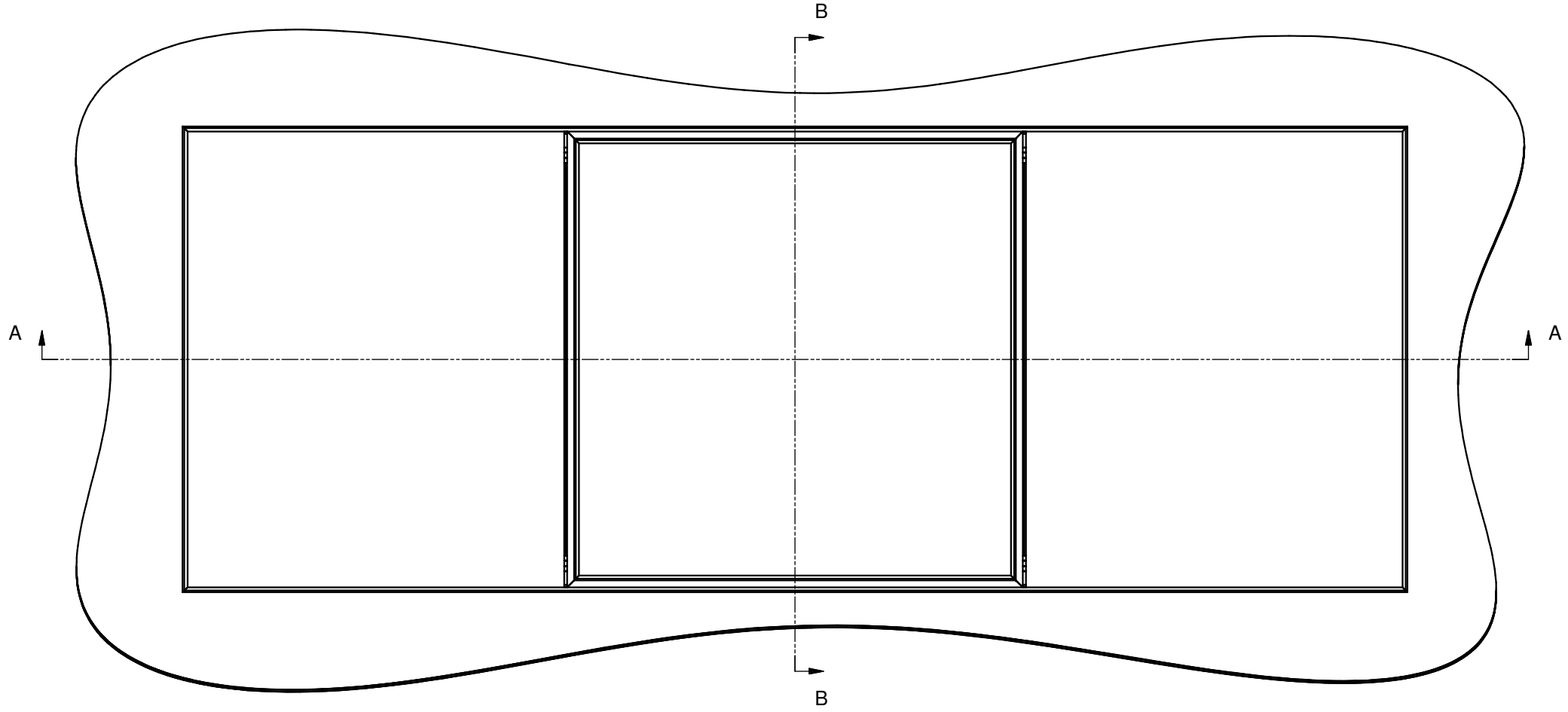
- NOTE:**
1. For kerb specification detail refer to drawing 401-ASS-401
  2. For section A-A see drawing 401-ASS-407
  3. For section B-B see drawing 401-ASS-408

This drawing depicts a generic configuration. Various options are available including adjacent venting sections. Please contact us for further details.



Openable vent section integrated into fixed glazing sections

Fully weathered structural kerb and internal finishes (by others)



**GLAZING VISION**

Saw Mills Road  
Diss  
Norfolk  
IP22 4RG

Tel: +44 (0)333 8000 881  
Fax: +44 (0)333 8000 882  
Email: sales@glazingvision.co.uk  
Website: www.glazingvision.co.uk

IT IS GLAZING VISION'S POLICY TO CONTINUOUSLY DEVELOP AND IMPROVE OUR PRODUCTS. WE THEREFORE RESERVE THE RIGHT TO MODIFY OR CHANGE THE DETAIL DESIGN AT OUR DISCRETION AND WITHOUT PRIOR NOTICE. THIS DRAWING IS COPYRIGHT AND THE SOLE PROPERTY OF GLAZING VISION LTD. THE DESIGNS/INFORMATION IT CONTAINS ARE PRIVATE AND CONFIDENTIAL. IT MUST NOT BE COPIED, EXHIBITED OR COMMUNICATED TO THIRD PARTIES FOR ANY PURPOSE OTHER THAN THAT FOR WHICH IT WAS ISSUED WITHOUT THE WRITTEN PERMISSION OF GLAZING VISION LTD.

Third angle projection unless otherwise noted.  
Tolerances:  
Whole numbers = ±1mm  
One decimal place = ±0.5mm  
Two decimal places = ±0.2mm  
All angles 90±0.5 degrees unless specified  
**IF IN DOUBT - ASK! DO NOT SCALE**  
**Supplier to deburr & remove sharp corners**

Rev	Revision Description	Drawn/Date
-	Initial release	JamesB 06.12.13

<b>Product:</b> GV Standard VisionVent		<b>Checked By:</b> PeterW
<b>Description:</b> Integrated VisionVent		
<b>Materials:</b> N/A	<b>Drawn By:</b> JamesB	<b>Check Date:</b> 28.01.14
<b>Finish:</b> N/A	<b>Drawn Date:</b> 06.12.13	
<b>Weight:</b> N/A	<b>Quantity:</b> N/A	
<b>Scale:</b> N/A	<b>Drawing No:</b> 401-ASS-406	