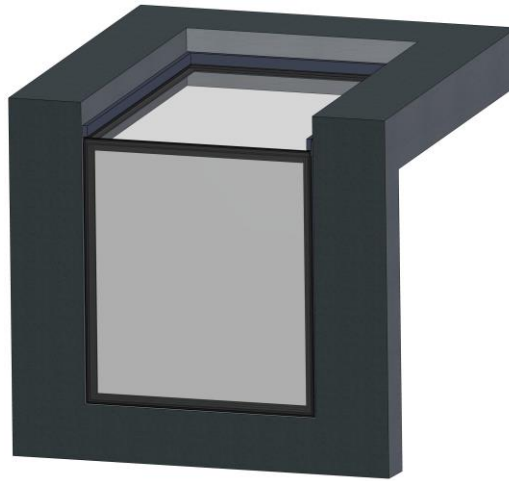


## Product Data Sheet



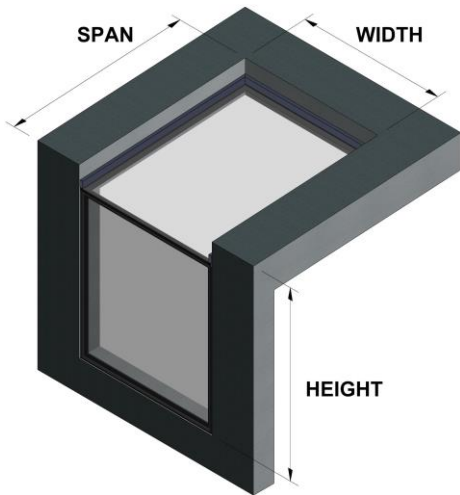
<b>Name:</b>	Eaves Flushglaze						
<b>Code:</b>	402						
<b>Type:</b>	Fixed Rooflight						
<b>Description:</b>	<p>A fixed glazing system comprising powder coated aluminium extrusion and double glazed units. Designed for installation along building eaves. Can also be installed to span opposing gables or as a short extension to an additional building. Available in either single or multipart format, the latter (bespoke) consisting of multiple glazing sections. Flushglaze rooflights are designed to provide maximum daylight with minimal visible internal structure.</p>						
<b>Features:</b>	<p>No visible exterior fixings. Achieved using a Glazing Vision designed thermal clip-on detail which covers over structural fixings to leave a sleek external finish.</p> <p>Structurally bonded, low profile vertical frames mated to high strength thermally broken overhead support angles.</p> <p>Suite of product support data including; sales drawings, schedule and manufacturing information.</p>						
<b>Standard Glass Specification:</b>	<p>Outer: 6mm Clear Toughened. Spacer: 16mm Black Silicone Sealed Argon filled cavity with warm edge spacer Inner: 6mm Clear Soft Low E Toughened.</p> <p>Properties for standard glass specification:</p> <table><tr><td>Centre pane U-value = 1.1W/m<sup>2</sup>K</td><td>Shading Coefficient = 0.71</td></tr><tr><td>Light Transmittance = 77.0%</td><td>Sound Insulation (Rw) = 31dB</td></tr><tr><td>Light Reflectance = 11.3%</td><td>Mass 30 Kg/m<sup>2</sup></td></tr></table>	Centre pane U-value = 1.1W/m <sup>2</sup> K	Shading Coefficient = 0.71	Light Transmittance = 77.0%	Sound Insulation (Rw) = 31dB	Light Reflectance = 11.3%	Mass 30 Kg/m <sup>2</sup>
Centre pane U-value = 1.1W/m <sup>2</sup> K	Shading Coefficient = 0.71						
Light Transmittance = 77.0%	Sound Insulation (Rw) = 31dB						
Light Reflectance = 11.3%	Mass 30 Kg/m <sup>2</sup>						
<b>Standard Colour:</b>	RAL 7015 Grey						
<b>Rooflight Control:</b>	N/A						
<b>Power Supply:</b>	N/A						
<b>Drive Mechanism:</b>	N/A						

**Thermal Performance (U-Value):** Overall U-Value = 1.3 Wm<sup>2</sup>K  
 (Based upon dimensions: 1600 Width x 2000 Span x 2000 Height)

**Seals:** Combination of Silicone, Poly-Butyl and Rubber seals.

**Security:** Secured to kerb with structural fixings and poly-butyl adhesive.

**Kerb Dimensions:**



- Min Height = 400mm      Max Height = 2000mm
- Min Span = 400mm      Max Span = 2000mm
- Min Width = 400mm      Max Width = 1600mm
- Min Pitch = 3°      Max Pitch = 50°

**NOTE:** ALWAYS USE THE SCHEDULE TO CONFIRM SIZES.

**Use for Access:** N/A

<b>Sales Drawings:</b>	<u>Drawing Number</u>	<u>Description</u>
	402-ASS-056	Double glazed eaves detail (2 sheets)

**Optional Extras**

**Remote Control:** N/A

**Rain Sensor:** N/A

<b>Rain Sensor Overrides:</b>	
Internal mounted Isolator Switch:	N/A
Frame mounted Push Button:	N/A
External mounted Key Switch:	N/A
External mounted Digital Keypad:	N/A

**Solenoid Bolt:** N/A

**Dual Colour:** NO

**Thermostat:** N/A

**Special Colour:** YES

**BMS Integration:** N/A

**Ritec Coating:** YES

**Trickle Vents:** NO (Bespoke)

**Downlighter:** NO

**Wall Abutted:** YES

**Multi-Part** Bespoke only

**Round:** NO (Bespoke, but external fixings will be visible)

**Multi-Part with Glass Fins** Bespoke only